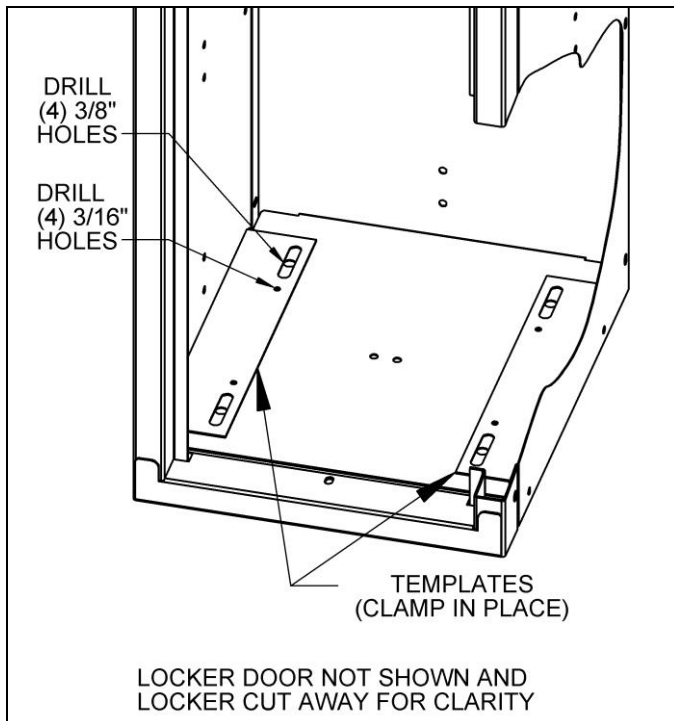


# Anchoring Bracket - One Wide Locker Without Legs Installation Instructions

Thank you for selecting Salsbury's standard metal lockers. These instructions are intended to assist you in attaching one wide metal lockers without legs to a concrete base or floor.

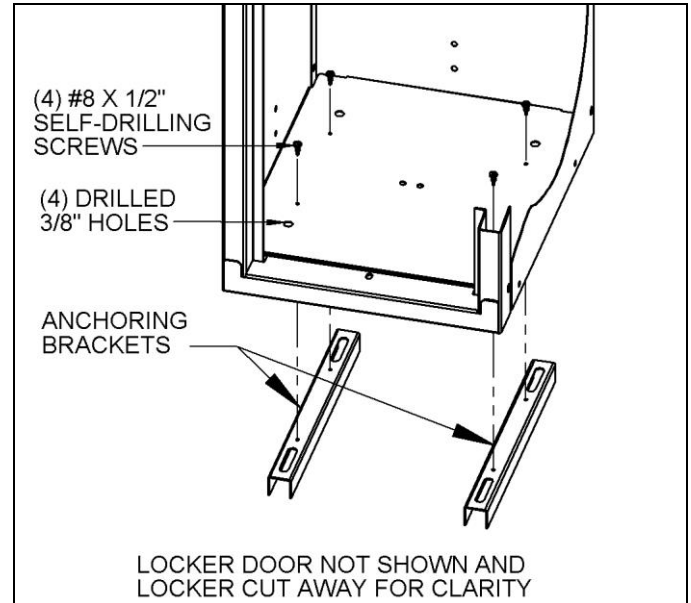
## Step 1 – Drill Anchor Hole Locations

Begin the locker installation by placing the locker on its back. Clamp the appropriate drill template (provided) onto the bottom shelf against each side wall of the locker. The appropriate drill template is the one that measures 4" shorter than the locker depth. Drill four (4) 3/16" diameter holes and four (4) 3/8" diameter holes through the bottom shelf of the locker in the locations depicted on the templates.



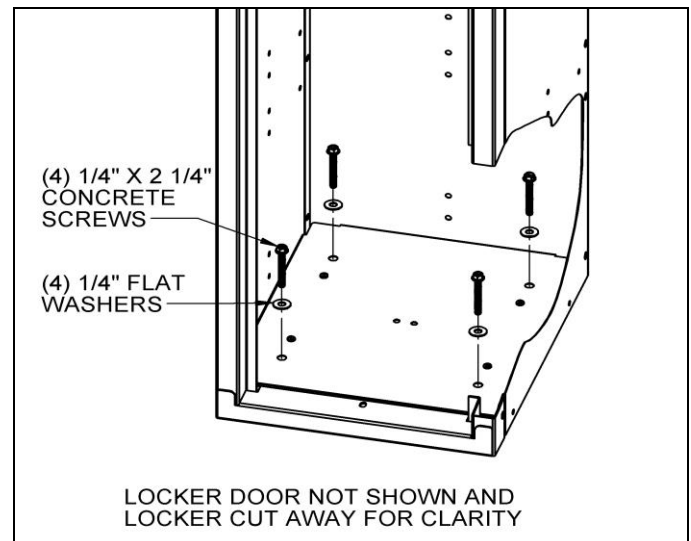
## Step 2 – Attach Anchors and Drill Concrete Screw Holes

Remove the templates. Attach two anchoring brackets that are 4" shorter than depth of locker underneath the bottom shelf of the locker by placing four (4) #8 x 1/2" long self-drilling screws (provided) through the four (4) drilled 3/16" diameter holes in the bottom shelf and through the pre-drilled holes in the anchoring bracket. Set the locker in place on the concrete base or floor. Drill four (4) 3/16" diameter holes into the concrete base or floor through the four (4) drilled 3/8" diameter holes in the bottom shelf and through the slots in the anchoring brackets. Drill holes at least 2-3/8" deep from the top surface of the bottom shelf.



## Step 3 – Fasten Locker to Concrete

Attach the locker to the concrete base or floor by installing four (4) 1/4" x 2-1/4" long concrete screws (provided) and four (4) 1/4" flat washers (provided) through the four (4) drilled 3/8" diameter holes in the bottom shelf, through the slots in the anchoring brackets, and through the holes drilled into the concrete. The four (4) #8 x 1/2" long self-drilling screws may be removed after installing the concrete screws. Installation is now complete.



## SALSBUURY INDUSTRIES

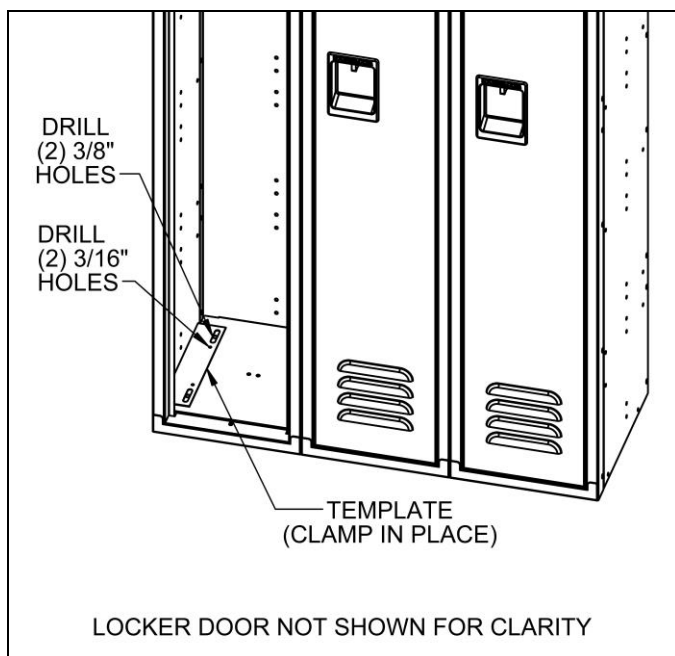
18300 Central Avenue, Carson, CA 90746-4008  
Phone: 1-800-562-5377 Int'l Phone: 323-846-6700  
Fax: 1-800-562-5399 Int'l Fax: 323-846-6800  
www.lockers.com engineering@lockers.com

# Anchoring Bracket - Three Wide Locker Without Legs Installation Instructions

Thank you for selecting Salsbury's standard metal lockers. These instructions are intended to assist you in attaching three wide metal lockers without legs to a concrete base or floor.

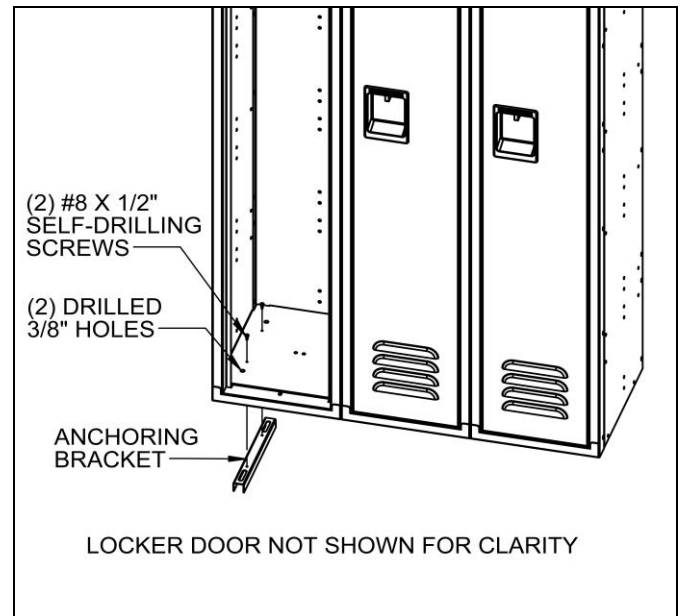
## Step 1 – Drill Anchor Hole Locations

Begin the locker installation by placing the locker on its back. Clamp the appropriate drill template (provided) onto the bottom shelf of the left locker against the side wall of the locker. The appropriate drill template is the one that measures 4" shorter than the locker depth. Drill two (2) 3/16" diameter holes and two (2) 3/8" diameter holes through the bottom shelf of the locker in the locations depicted on the template. Repeat these steps against the right wall of the right locker if no additional lockers are installed next to it.



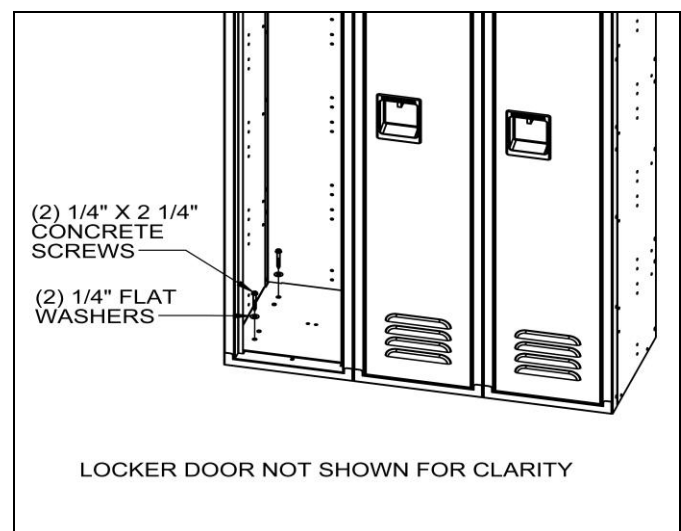
## Step 2 – Attach Anchor and Drill Concrete Screw Holes

Remove the template. Attach an anchoring bracket that is 4" shorter than depth of locker underneath the bottom shelf of the left locker by placing two (2) #8 x 1/2" long self-drilling screws (provided) through the two (2) drilled 3/16" diameter holes in the bottom shelf and through the pre-drilled holes in the anchoring bracket. Set the locker in place on the concrete base or floor. Drill two (2) 3/16" diameter holes into the concrete base or floor through the two (2) drilled 3/8" diameter holes in the bottom shelf and through the slots in the anchoring brackets. Drill holes at least 2-3/8" deep from the top surface of the bottom shelf. Repeat these steps to the right locker if installing an additional anchor.



## Step 3 – Fasten Locker to Concrete

Attach the locker to the concrete base or floor by installing two (2) 1/4" x 2-1/4" long concrete screws (provided) and two (2) 1/4" flat washers (provided) through the two (2) drilled 3/8" diameter holes in the bottom shelf, through the slots in the anchoring bracket, and through the holes drilled into the concrete. The two (2) #8 x 1/2" long self-drilling screws may be removed after installing the concrete screws. Repeat these steps in the far-right locker. To complete the installation, bolt all lockers in a row together through their side walls with fasteners provided. Installation is now complete.



## SALSBUURY INDUSTRIES

18300 Central Avenue, Carson, CA 90746-4008  
Phone: 1-800-562-5377 Int'l Phone: 323-846-6700  
Fax: 1-800-562-5399 Int'l Fax: 323-846-6800  
www.lockers.com engineering@lockers.com