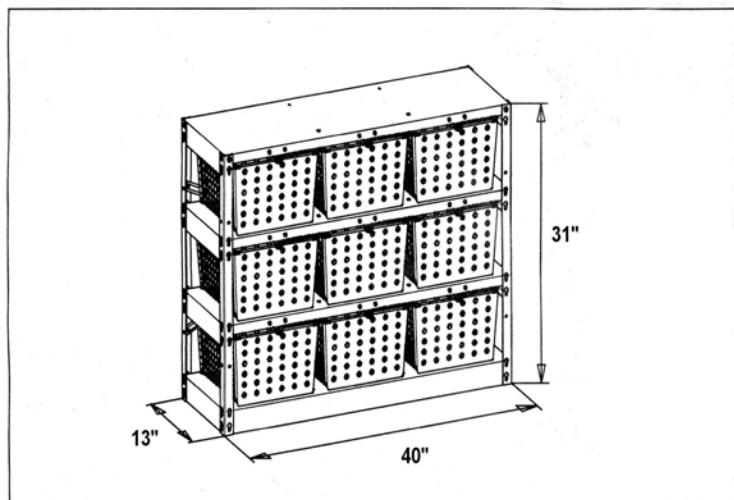


Basket Lockers – 77709

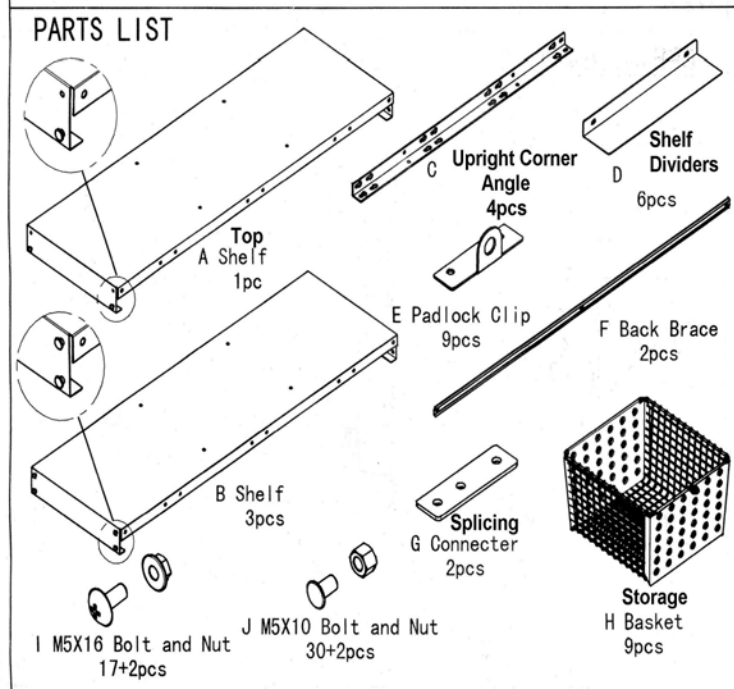
Installation Instructions

Thank you for selecting Salsbury's Basket Lockers. We are confident that the quality and construction of the lockers will prove to be a good investment. These instructions are intended to assist you in the assembly and placement of your basket lockers. Individual job conditions will dictate the type of fasteners and whether the lockers must be anchored to the wall, the floor, or both.



ASSEMBLED FIGURE :

Shows the **Assembled Basket Locker** and basic dimensions for placement of the lockers.



Parts List is as follows:

- A. TOP Shelf 1 Piece
- B. Remaining Shelves, 3 Pieces
- C. Upright Corner Angle, 4 Pieces
- D. Shelf Dividers, 6 Pieces
- E. Padlock Clips, 9 Pieces [One per opening]
- F. Back Brace Cross Members, 2 Pieces
- G. Splicing Connectors, 2 Pieces
- H. Storage Baskets, 9 Pieces [One per opening]
- I. Post & Brace Hardware Phillips Head, M5X16 Bolt & Nut, 17+2 Pieces
- J. Padlock Clip & Shelf Hardware Blind Head, M5X10 Bolt & Nut, 30+2 Pieces

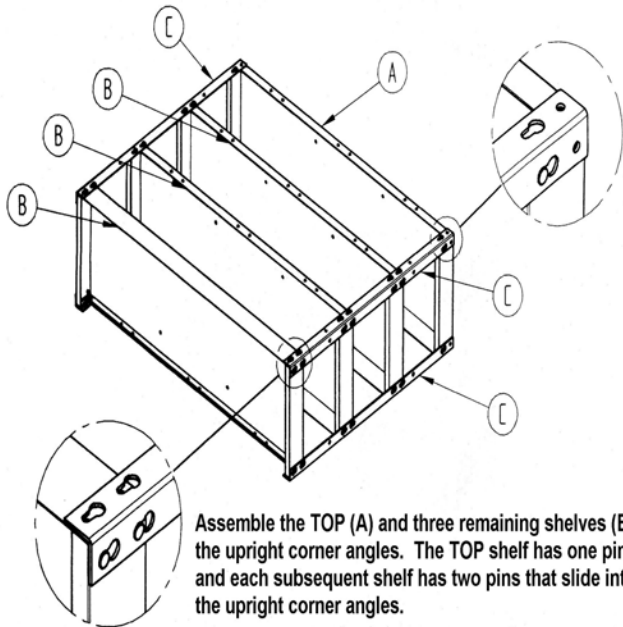
SALSBURY INDUSTRIES

1010 East 62nd Street, Los Angeles, CA 90001-1598
 Phone: 1-800-562-5377 Int'l Phone: 323-846-6700
 Fax: 1-800-562-5399 Int'l Fax: 323-846-6800
www.lockers.com engineering@lockers.com

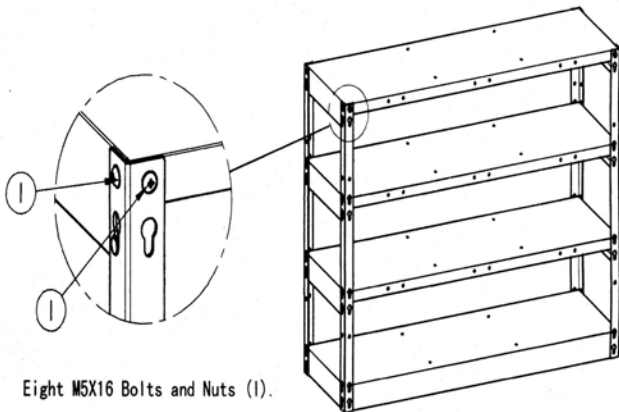
Basket Lockers – 77709

Installation Instructions

OPERATION NO. 1



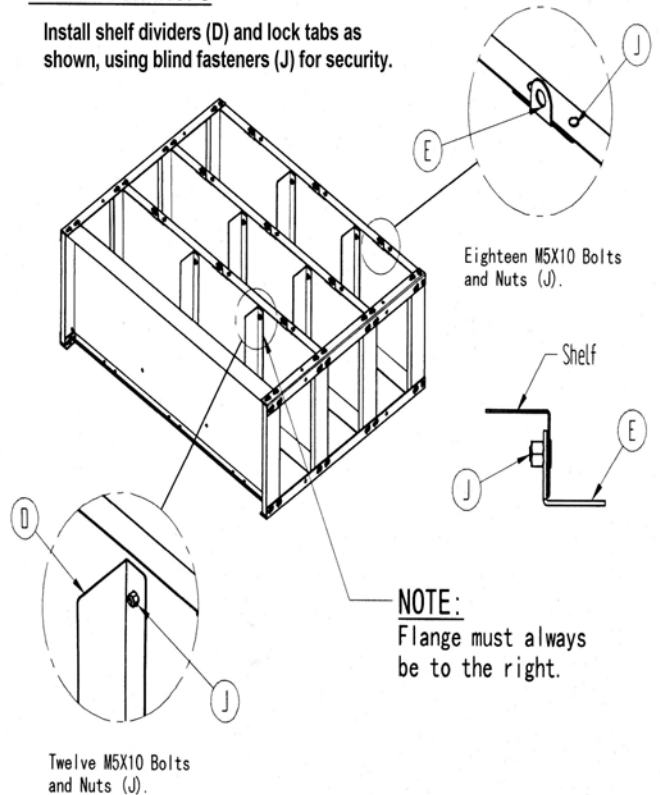
OPERATION NO. 2



Secure the TOP to the upright corner angles (C) with the Bolts & Nuts (I) provided, as shown above.

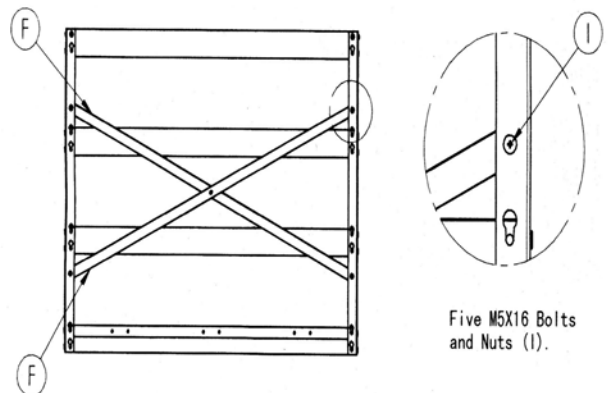
OPERATION NO. 3

Install shelf dividers (D) and lock tabs as shown, using blind fasteners (J) for security.



OPERATION NO. 4

Install Back Brace Cross Members (F) as shown, using Phillips Head Bolts and Nuts (I) to tighten.



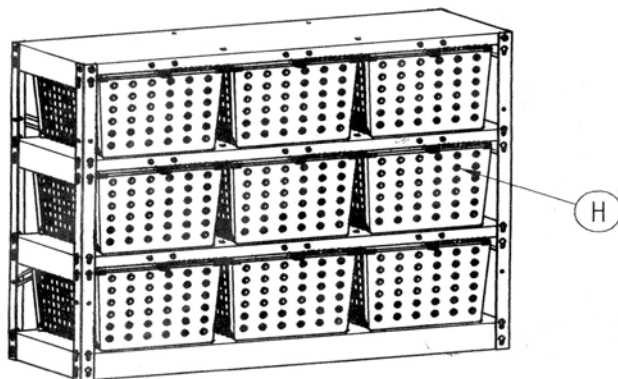
SALSBURY INDUSTRIES

1010 East 62nd Street, Los Angeles, CA 90001-1598
 Phone: 1-800-562-5377 Int'l Phone: 323-846-6700
 Fax: 1-800-562-5399 Int'l Fax: 323-846-6800
www.lockers.com engineering@lockers.com

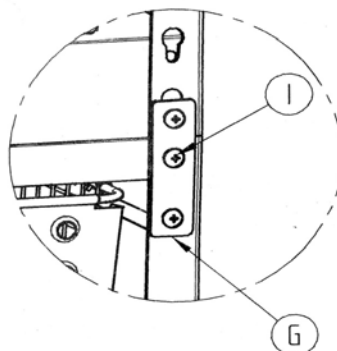
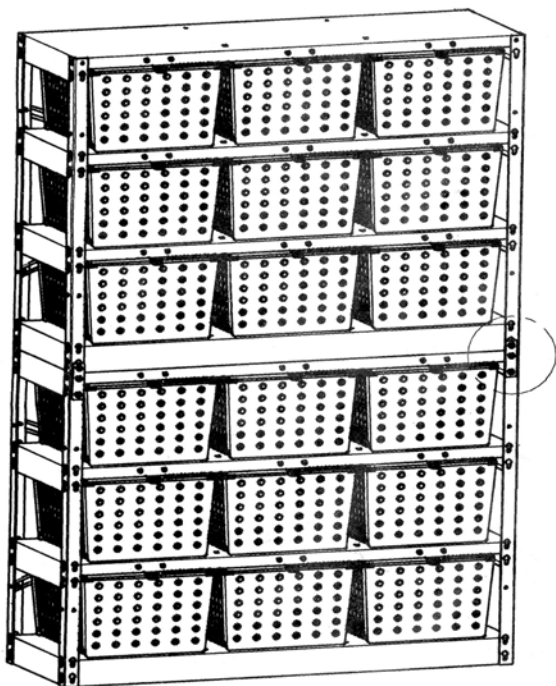
Basket Lockers – 77709

Installation Instructions

OPERATION NO. 5



OPERATION NO. 6



Eight M5X16 Bolts
and Nuts (I).

NOTE:

In order to save space you
can splice two basket racks
to four connectors.

SALSBURY INDUSTRIES

1010 East 62nd Street, Los Angeles, CA 90001-1598
Phone: 1-800-562-5377 Int'l Phone: 323-846-6700
Fax: 1-800-562-5399 Int'l Fax: 323-846-6800
www.lockers.com engineering@lockers.com