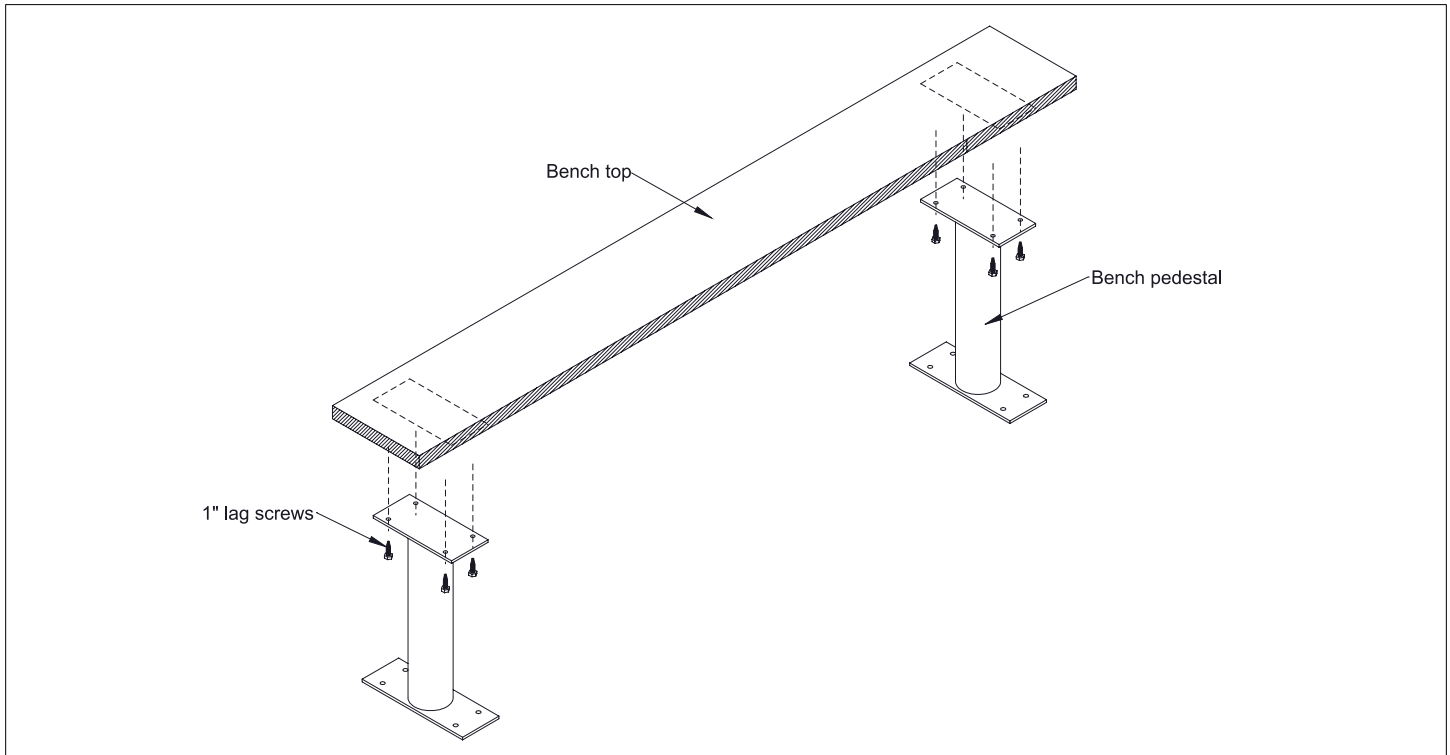


Designer Wood Locker Benches

Assembly & Installation Instructions

Thank you for selecting Salsbury designer wood locker benches. We are confident that the quality and construction of this product will provide years of maintenance free use.



Preliminary Notes

There are two basic steps to assembly and installation:

1. The bench pedestals must be assembled to the bench top.
2. The bench assembly must be bolted to the floor.

Failure to bolt the bench assembly to the floor could result in injury to persons sitting on the bench.

Since various types of floors require different types of fasteners, floor installation hardware is not provided. Eight (8) 1/4" x 1" long lag screws are provided for fastening the bench pedestals to the bench top.

Two bench pedestals are provided for each bench top. On 3', 4', 5' and 6' long benches, the center of each bench pedestal should be installed 6" from each end of the bench top. On 7' and 8' long benches, the center of each bench pedestal should be installed 12" from each end of the bench top. There is a template provided to assist in drilling the holes for the lag screws.

Assembly

1. Position template at one end of bench top. Drill four (4) 13/64" diameter holes 1" deep at locations shown on the template.
2. Position template at other end of bench top. Drill four (4) 13/64" diameter holes 1" deep at locations shown on the template.
3. Position end plate of one bench pedestal at one end of the bench top, aligning holes in bench pedestal plate with holes in bench top. Drive four (4) lag screws (provided) through bench pedestal plate and into bench top using a 7/16" socket on a socket wrench.
4. Position end plate of other bench pedestal at other end of the bench top, aligning holes in bench pedestal plate with holes in bench top. Drive four (4) lag screws (provided) through bench pedestal plate and into bench top using a 7/16" socket on a socket wrench.

Complete the installation by fastening the assembled designer wood bench to the floor.

SALSBURY INDUSTRIES

1010 East 62nd Street, Los Angeles, CA 90001-1598
Phone: 1-800-562-5377 Int'l Phone: 323-846-6700
Fax: 1-800-562-5399 Int'l Fax: 323-846-6800
www.lockers.com engineering@lockers.com