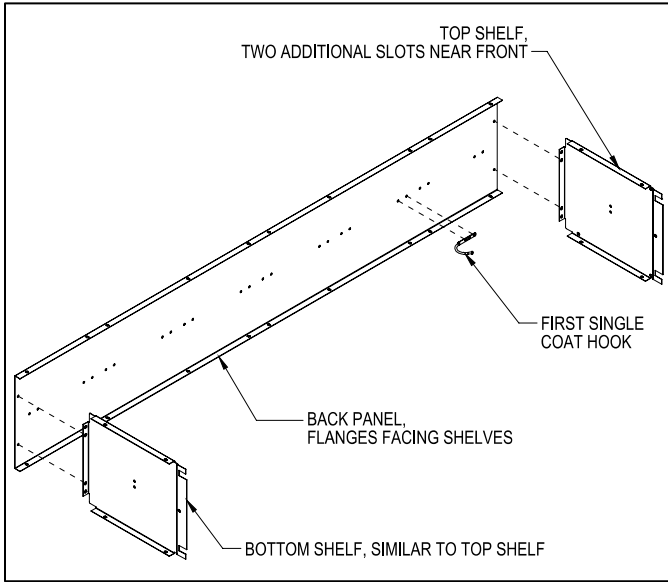


12" Wide See-Through Lockers – S-51000 Series Single Tier Installation Instructions

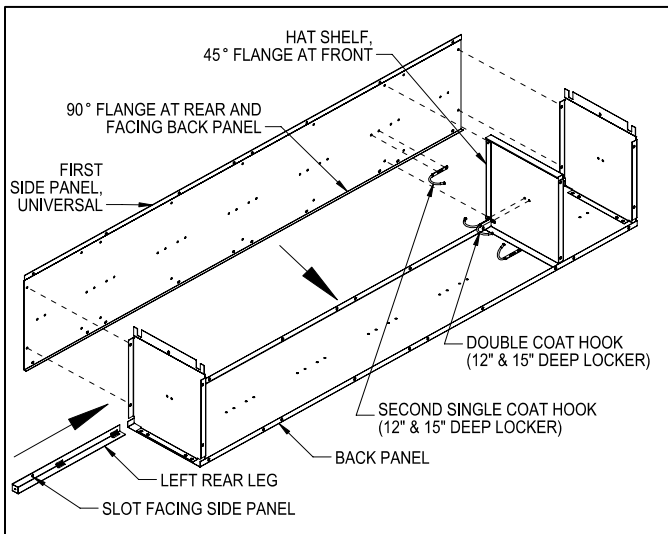
Thank you for selecting Salsbury's 12" wide see-through single tier lockers. These instructions are intended to assist you in assembling the lockers. Note that a 6-foot high locker is shown in the diagrams – hole locations will be different for 5-foot high lockers. Assembly of the various locker components will use #10-24 x 3/8" long slotless screws and #10 nuts (provided). Loosely fasten a screw and a nut into every set of mating holes with the screw heads positioned on the outside (or exposed) surface of the locker.

One Wide Locker Assembly

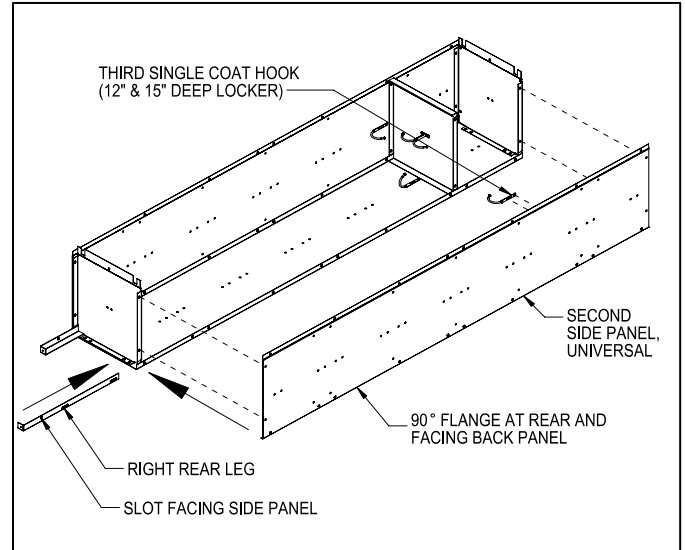
Step 1: Attach the top shelf, bottom shelf, and the first single coat hook to the back panel.



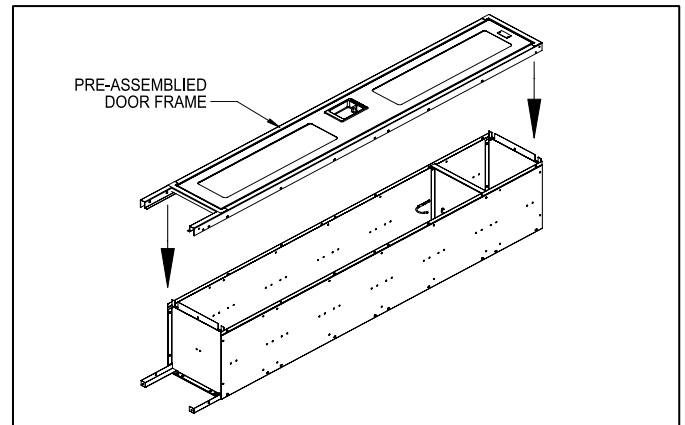
Step 2: Turn the back panel onto its back with the shelves pointing upward. Attach the first side panel, the left rear leg, and the hat shelf to the assembly from Step 1. For 12" and 15" deep lockers, attach the double coat hook to the bottom of the hat shelf, and attach a second single coat hook to the first side panel. For 18" deep lockers, omit the double coat hook, and replace the standard single coat hook with a single coat hook with double bend (not pictured), which will accommodate the coat rod.



Step 3: Attach the second side panel and the right rear leg to the assembly from Step 2. For 12" and 15" deep lockers, attach a third single coat hook. For 18" deep lockers, replace the standard single coat hook with a single coat hook with a double bend (not pictured), and install the coat rod (as shown on page 3). The locker chassis is now complete.



Step 4: Attach the pre-assembled door frame to the assembly from Step 3.



Step 5: Tighten all fasteners, ensuring the locker remains square during the process. If desired, attach optional sloping hood, end bases, or front base (see pages 4 and 5).

Step 6: Place the locker in the installation location and anchor to the floor, wall, or both. Individual job conditions will dictate the type of fastening anchors to use (not provided).

Step 7: Fasten all lockers in a row together by installing fasteners through the side panels. Installation is now complete.

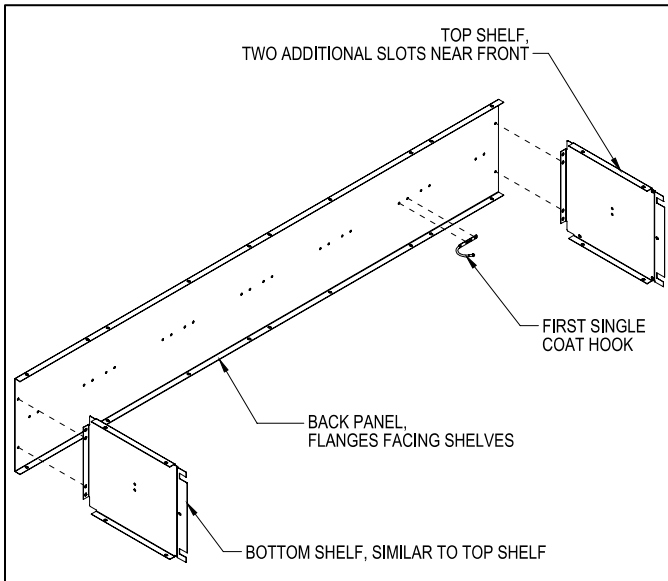
SALSBUURY INDUSTRIES

18300 Central Avenue, Carson, CA 90746-4008
 Phone: 1-800-562-5377 Int'l Phone: 323-846-6700
 Fax: 1-800-562-5399 Int'l Fax: 323-846-6800
 www.lockers.com engineering@lockers.com

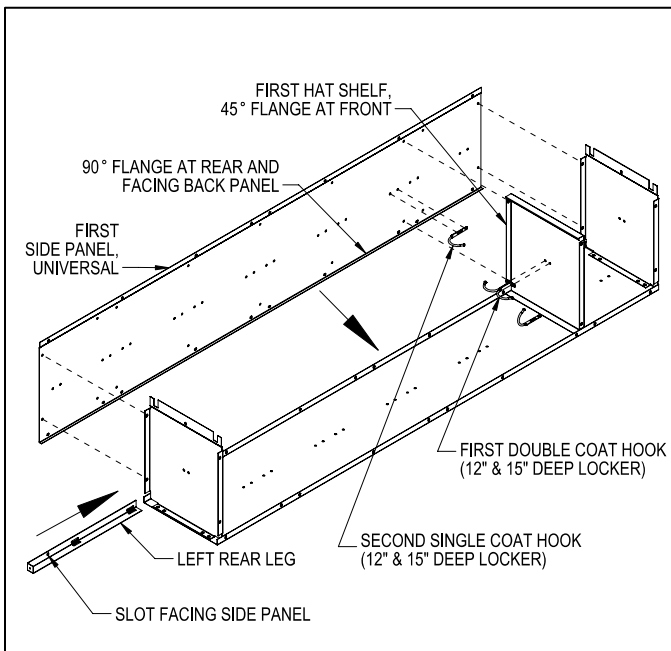
12" Wide See-Through Lockers – S-51000 Series Single Tier Installation Instructions

Three Wide Locker Assembly

Step 1: Attach a top shelf, a bottom shelf, and the first single coat hook to a back panel.

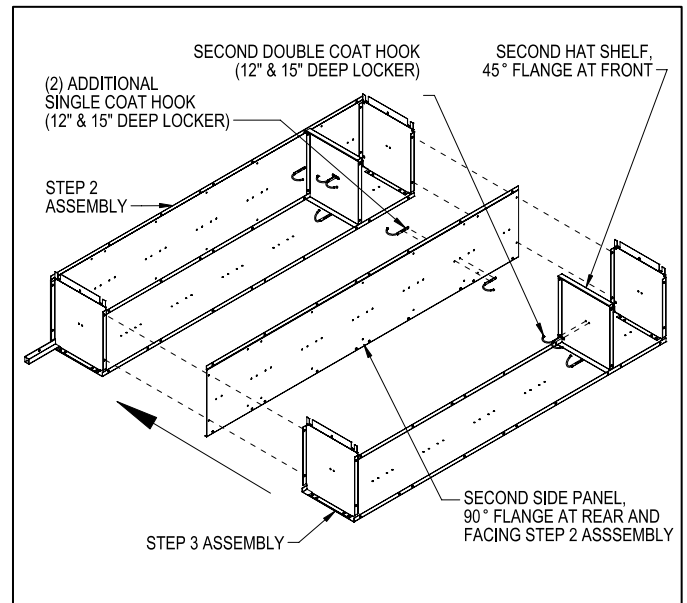


Step 2: Turn the back panel onto its back with the shelves pointing upward. Attach the first side panel, the left rear leg, and the first hat shelf to the assembly from Step 1. For 12" and 15" deep lockers, attach the first double coat hook to the bottom of the first hat shelf, and attach a second single coat hook to the first side panel. For 18" deep lockers, omit the double coat hook, and replace the standard single coat hook with a single coat hook with double bend (not pictured), which will accommodate the coat rod.



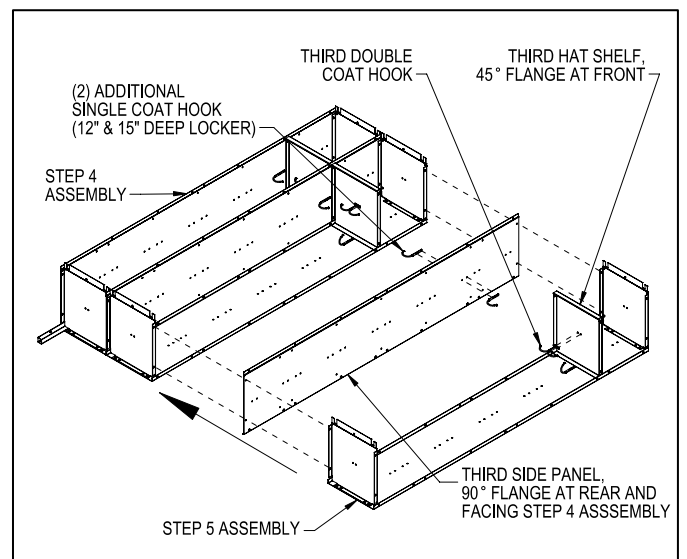
Step 3: Attach a second top shelf, a second bottom shelf, and an additional single coat hook to the second back panel (as in Step 1).

Step 4: Simultaneously attach the assembly from Step 3, a second side panel, and a second hat shelf to the assembly from Step 2. For 12" and 15" deep lockers, attach a second double coat hook, and attach one additional single coat hook to each side of the second side panel. For 18" deep lockers, omit the double coat hook, and replace the standard single coat hooks with single coat hooks with double bends (not pictured) and install a coat rod (as shown on page 3).



Step 5: Attach a third top shelf, a third bottom shelf, and an additional single coat hook to the third back panel (as in Steps 1 and 3).

Step 6: Simultaneously attach the assembly from Step 5, the third side panel, and the third hat shelf to the assembly from Step 4. Repeat the instructions in Step 4 to attach the remaining coat hooks and/or a coat rod.



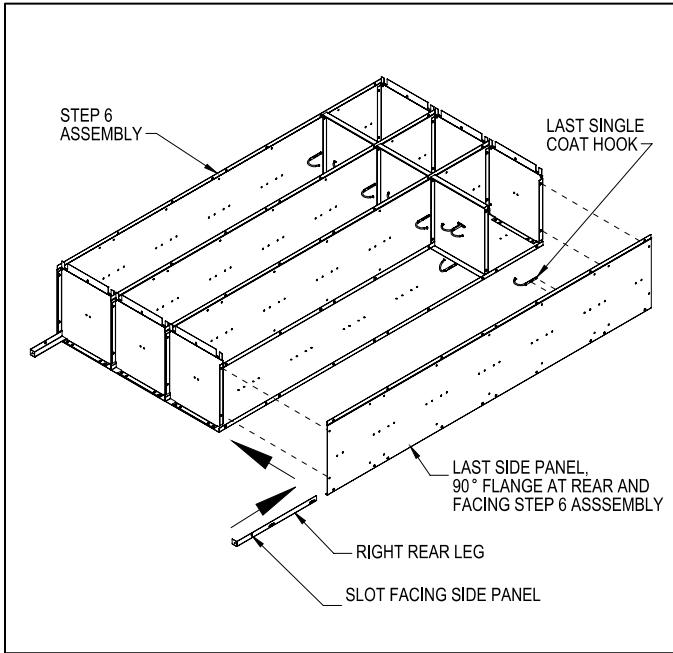
SALSBURY INDUSTRIES

18300 Central Avenue, Carson, CA 90746-4008
 Phone: 1-800-562-5377 Int'l Phone: 323-846-6700
 Fax: 1-800-562-5399 Int'l Fax: 323-846-6800
 www.lockers.com engineering@lockers.com

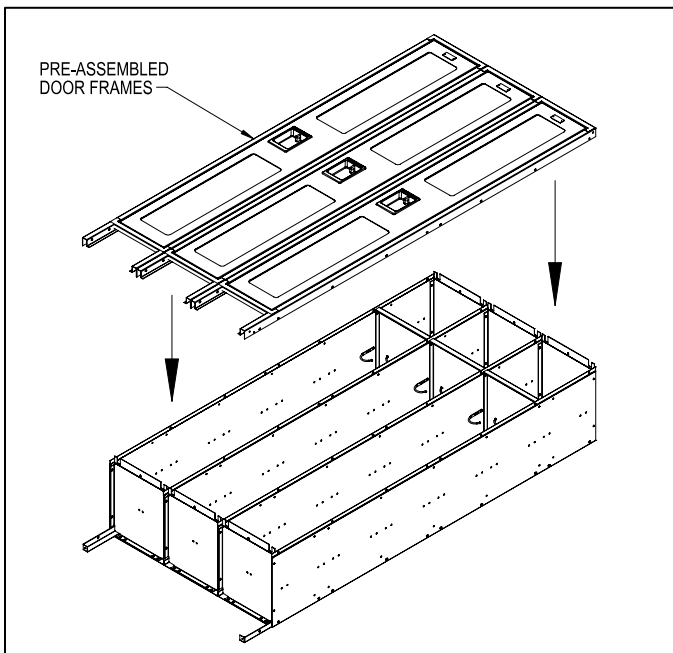
12" Wide See-Through Lockers – S-51000 Series Single Tier Installation Instructions

Three Wide Locker Assembly (continued)

Step 7: Attach the last side panel and the right rear leg to the assembly from Step 6. For 12" and 15" deep lockers, attach the last single coat hook. For 18" deep lockers, replace the standard single coat hook with a single coat hook with double bend (not pictured) and install the last coat rod. The locker chassis is now complete.



Step 8: Attach the pre-assembled door frames to the completed chassis from Step 7.

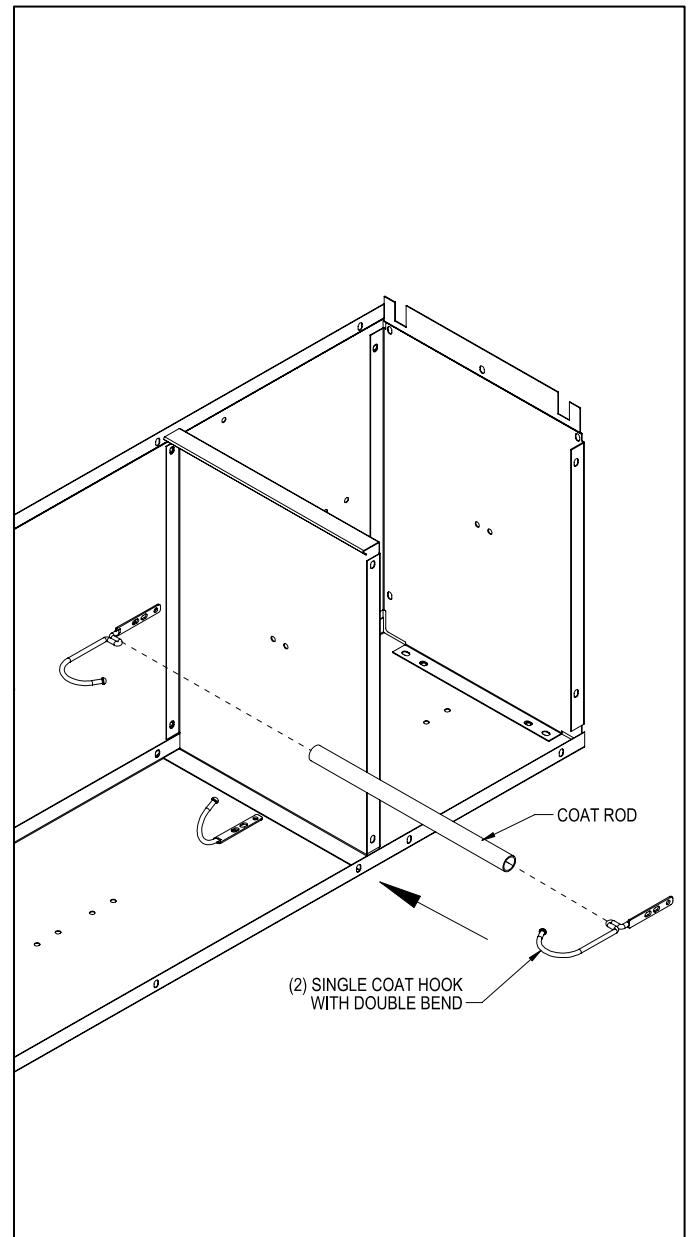


Step 9: Tighten all fasteners, ensuring the locker remains square during the process. If desired, attach optional sloping hood, end bases, or front base (see pages 4 and 5).

Step 10: Place the locker in the installation location and anchor to the floor, wall, or both. Individual job conditions will dictate the type of fastening anchors to use (not provided).

Step 11: Fasten all lockers in a row together by installing fasteners through the side panels. Installation is now complete.

Coat Rod Installation – 18" Deep Lockers Only



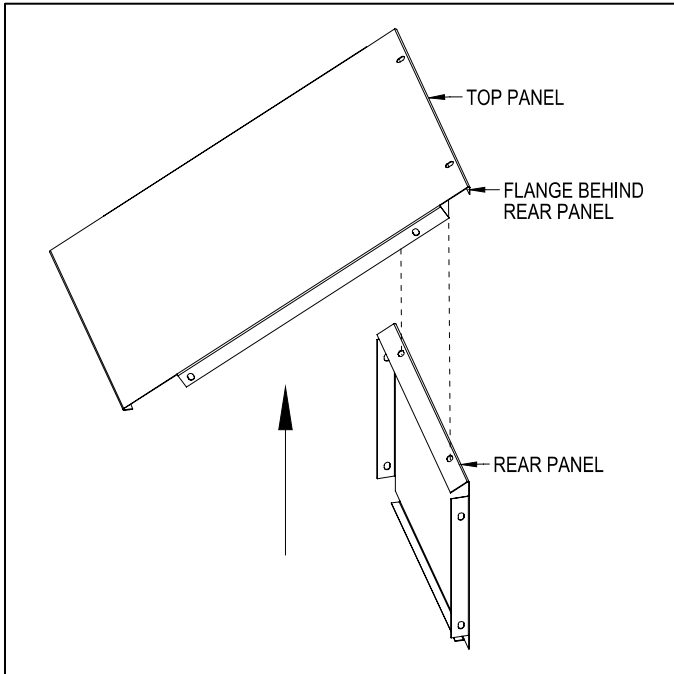
SALSBUURY INDUSTRIES

18300 Central Avenue, Carson, CA 90746-4008
 Phone: 1-800-562-5377 Int'l Phone: 323-846-6700
 Fax: 1-800-562-5399 Int'l Fax: 323-846-6800
 www.lockers.com engineering@lockers.com

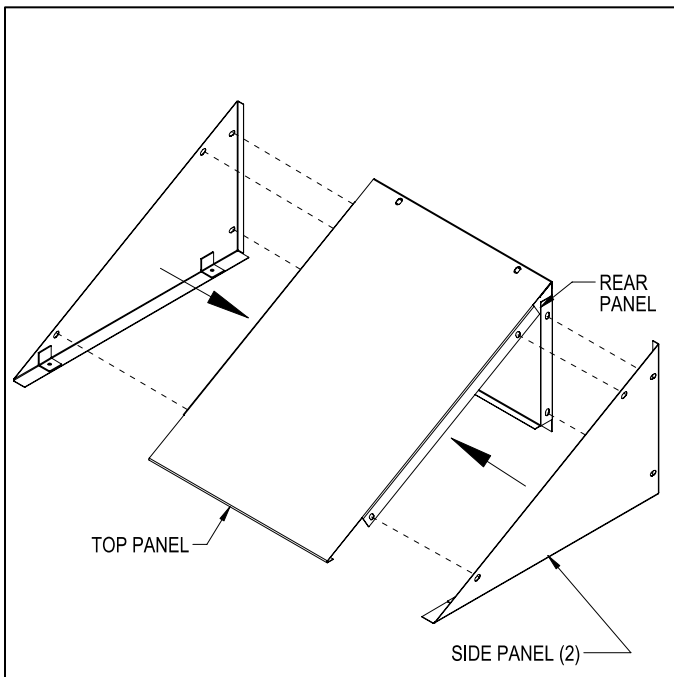
12" Wide See-Through Lockers – S-51000 Series Single Tier Installation Instructions

Sloping Hood Installation (Optional)

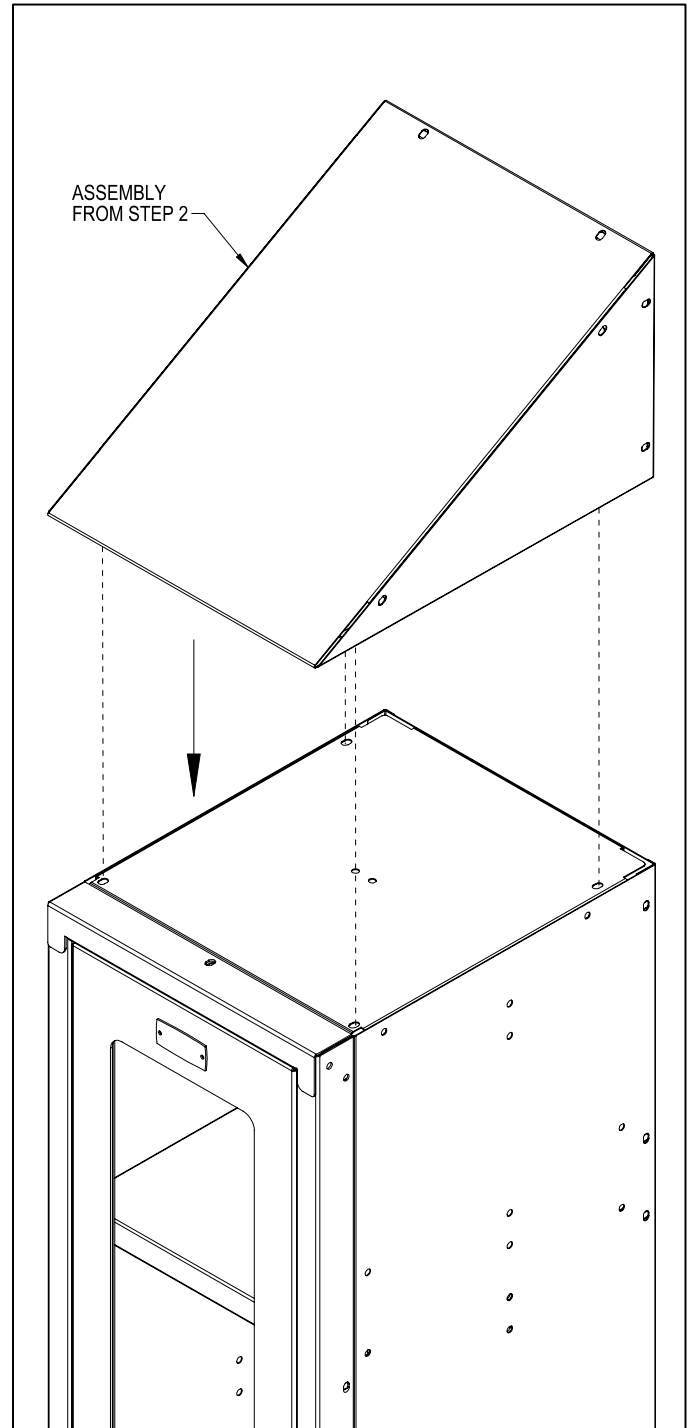
Step 1: Attach the top panel to the rear panel using #10-24 x 3/8" slotless screws and #10 nuts (provided). Position the flange of the top panel behind the rear panel.



Step 2: Attach the side panels to the top panel and rear panel. Sloping hood assembly is now complete.



Step 3: Attach the sloping hood to the top of the locker with slotted #8 - 32 screws (provided).



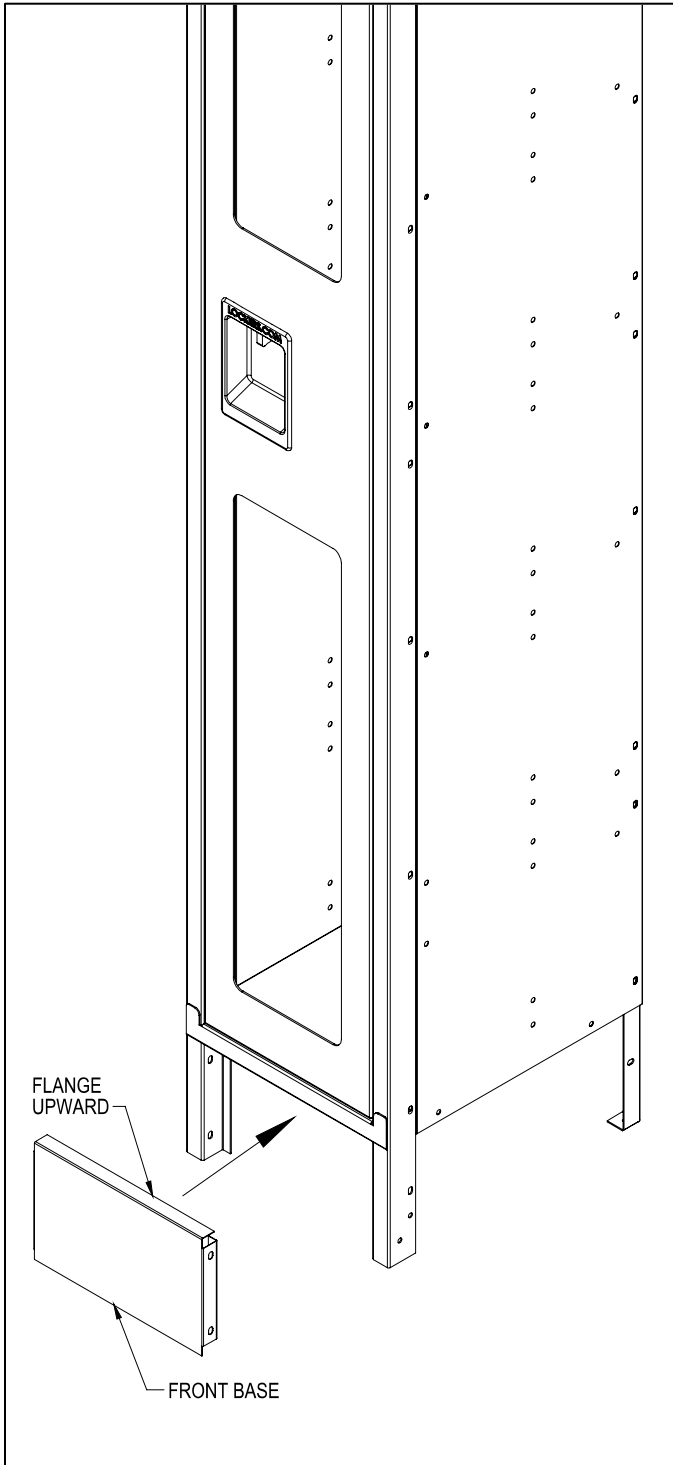
SALSBUURY INDUSTRIES

18300 Central Avenue, Carson, CA 90746-4008
Phone: 1-800-562-5377 Int'l Phone: 323-846-6700
Fax: 1-800-562-5399 Int'l Fax: 323-846-6800
www.lockers.com engineering@lockers.com

12" Wide See-Through Lockers – S-51000 Series Single Tier Installation Instructions

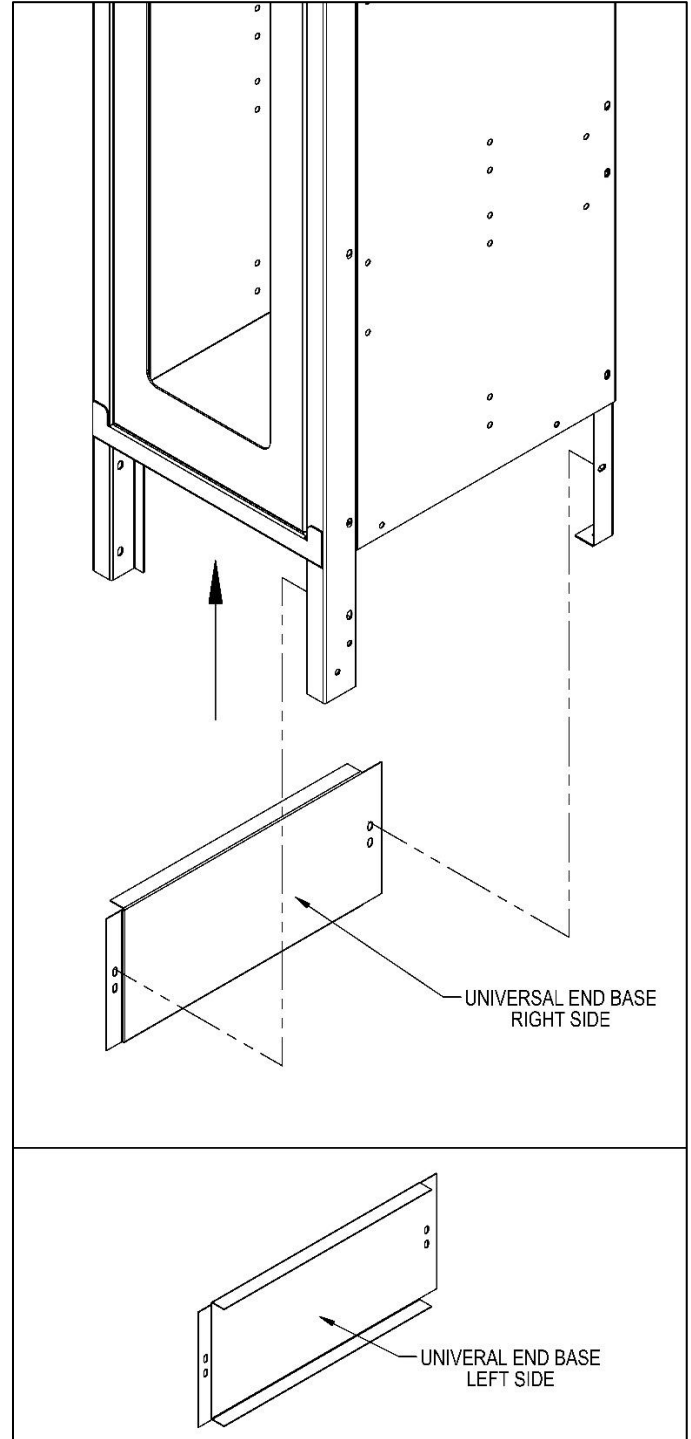
Front Base Installation (Optional)

Position the front base between the front legs of the locker, with the flange upward. Attach to the locker legs with #10-24 x 3/8" slotless screws and #10 nuts (provided).



End Base Installation (Optional)

Position the appropriate end base (right or left) behind the corresponding side legs of the locker, with the flange upward. Attach to the locker legs with #10-24 x 3/8" slotless screws and #10 nuts (provided). Repeat for the opposite side.



SALSBURY INDUSTRIES

18300 Central Avenue, Carson, CA 90746-4008
Phone: 1-800-562-5377 Int'l Phone: 323-846-6700
Fax: 1-800-562-5399 Int'l Fax: 323-846-6800
www.lockers.com engineering@lockers.com