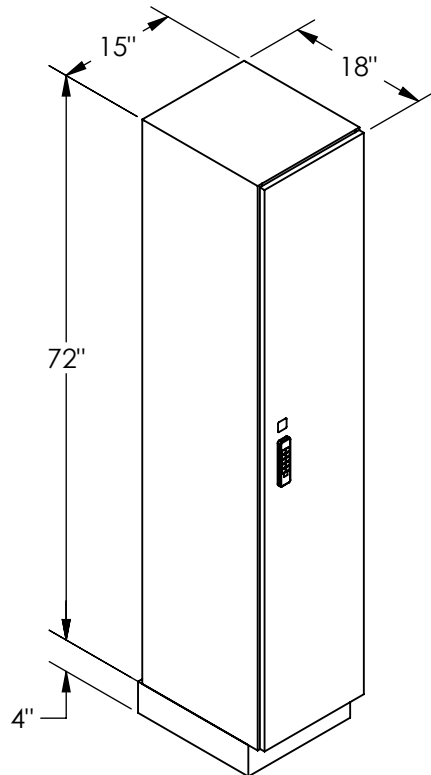


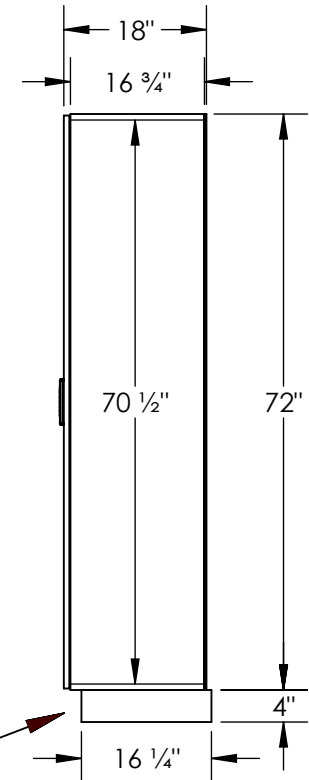
(NOTE: PREMIER LOCKER SHOWN WITHOUT SIDE PANEL OR SLOPING HOOD. PLEASE ORDER SEPERATELY.)



MODEL #15-41168-E  
15" WIDE SINGLE TIER  
PREMIER WOOD LOCKER – 1 WIDE  
WITH ELECTRONIC LOCKS

(1) LOCKER COMPARTMENT  
EACH COMPARTMENT:  
13-3/4" W x 70-1/2" H x 16-3/4" D

### SIDE VIEW



(BASES ARE MADE OF INDUSTRIAL GRADE PARTICLEBOARD AND ARE COVERED IN A DURABLE BLACK LAMINATE. PLEASE SET BASE TO ALLOW 5/8" BETWEEN THE BACK OF THE LOCKER AND THE WALL FOR AIR VENTILATION.)

## MODEL #15-41168-E

15" WIDE SINGLE TIER  
PREMIER WOOD LOCKER  
WITH ELECTRONIC LOCKS  
SIX FEET HIGH (ADD 4" FOR BASE)

AVAILABLE FINISHES: ARTIC WHITE, WINTER FOG,  
CARBON MESH, SILVER TEAK, RED OAK, SKYLINE WALNUT

DRAWN: 6/2024

18300 CENTRAL AVENUE  
CARSON, CA 90746-4008  
PHONE: (800) 562-5377  
FAX: (800) 562-5399  
email: [engineering@lockers.com](mailto:engineering@lockers.com)