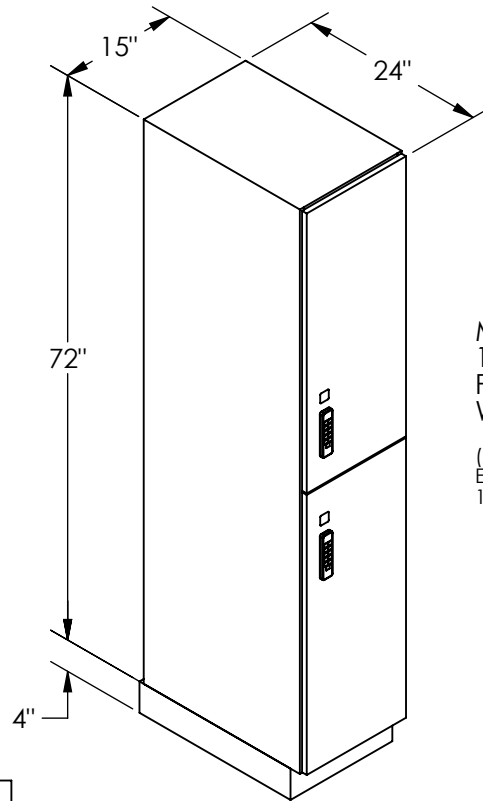


(NOTE: PREMIER LOCKER SHOWN WITHOUT SIDE PANEL OR SLOPING HOOD. PLEASE ORDER SEPERATELY.)

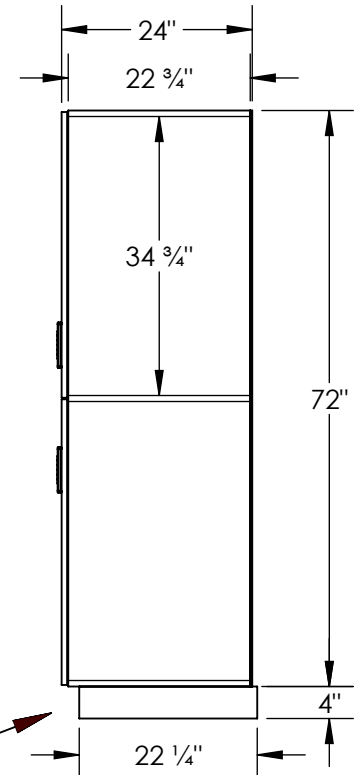


MODEL #15-42164-E
15" WIDE DOUBLE TIER
PREMIER WOOD LOCKER – 1 WIDE
WITH ELECTRONIC LOCKS

(2) LOCKER COMPARTMENTS
EACH COMPARTMENT:
13-3/4" W x 34-3/4" H x 22-3/4" D

(BASES ARE MADE OF INDUSTRIAL GRADE PARTICLEBOARD AND ARE COVERED IN A DURABLE BLACK LAMINATE. PLEASE SET BASE TO ALLOW 5/8" BETWEEN THE BACK OF THE LOCKER AND THE WALL FOR AIR VENTILATION.)

SIDE VIEW



MODEL #15-42164-E

15" WIDE DOUBLE TIER
PREMIER WOOD LOCKER
WITH ELECTRONIC LOCKS
SIX FEET HIGH (ADD 4" FOR BASE)

AVAILABLE FINISHES: ARTIC WHITE, WINTER FOG,
CARBON MESH, SILVER TEAK, RED OAK, SKYLINE WALNUT

DRAWN: 6/2024

18300 CENTRAL AVENUE
CARSON, CA 90746-4008
PHONE: (800) 562-5377
FAX: (800) 562-5399
email: engineering@lockers.com