

(NOTE: PREMIER LOCKER SHOWN WITHOUT SIDE PANEL OR SLOPING HOOD. PLEASE ORDER SEPERATELY.)

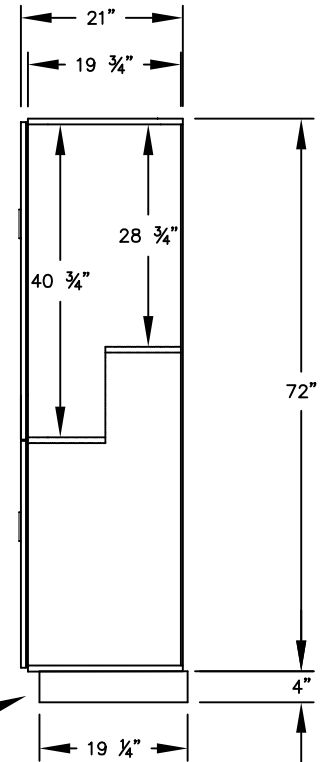
**MODEL #15-47361-E  
15" WIDE DOUBLE TIER 'S' STYLE  
PREMIER WOOD LOCKER – 3 WIDE  
WITH ELECTRONIC LOCKS**

(6) LOCKER COMPARTMENTS  
EACH COMPARTMENT:  
13-3/4" W x 40-3/4" H x 19-3/4" D

(THE DOUBLE TIER 'S' STYLE PREMIER LOCKER INCREASES EACH COMPARTMENT ON ONE SIDE TO ACCOMMODATE GARMENTS.)

(BASES ARE MADE OF INDUSTRIAL GRADE WOOD AND ARE COVERED IN A DURABLE BLACK LAMINATE. PLEASE SET BASE TO ALLOW 5/8" BETWEEN THE BACK OF THE LOCKER AND THE WALL FOR AIR VENTILATION.)

**SIDE VIEW**



**MODEL #15-47361-E**

**15" WIDE DOUBLE TIER 'S' STYLE  
PREMIER WOOD LOCKER  
WITH ELECTRONIC LOCKS  
SIX FEET HIGH (ADD 4" FOR BASE)**

AVAILABLE LOCKER FINISHES: ARCTIC WHITE, WINTER FOG,  
CARBON MESH, SILVER TEAK, RED OAK, SKYLINE WALNUT

AVAILABLE LOCK FINISHES: BLACK OR SILVER

DRAWN: 12/2025

***Established in 1936, Salsbury Industries is the industry  
leader in manufacturing and distributing quality lockers.***

18300 CENTRAL AVENUE  
CARSON, CA 90746-4008  
PHONE: (800) 562-5377  
FAX: (800) 562-5399  
email: [engineering@lockers.com](mailto:engineering@lockers.com)