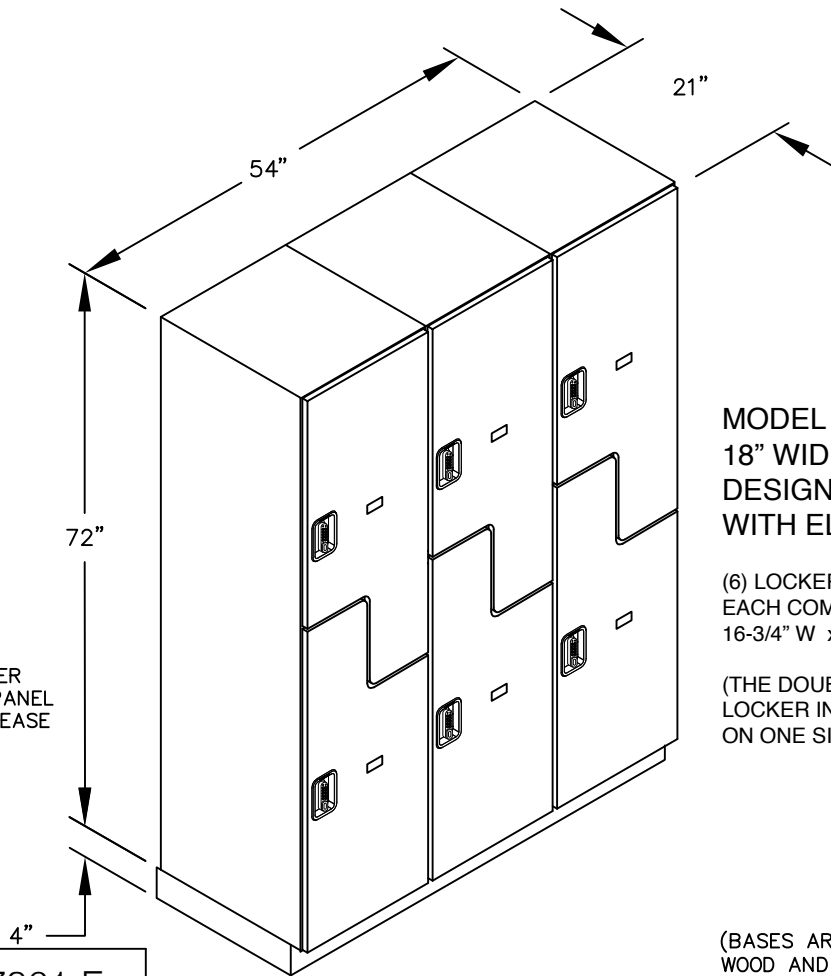


(NOTE: DESIGNER LOCKER SHOWN WITHOUT SIDE PANEL OR SLOPING HOOD. PLEASE ORDER SEPARATELY.)



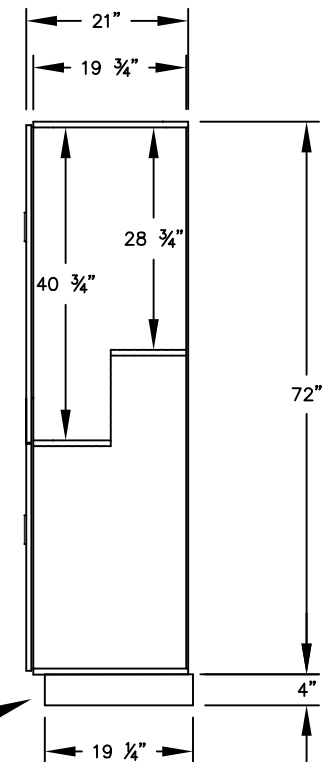
**MODEL #18-27361-E
18" WIDE DOUBLE TIER 'S' STYLE
DESIGNER WOOD LOCKER – 3 WIDE
WITH ELECTRONIC LOCKS**

(6) LOCKER COMPARTMENTS
EACH COMPARTMENT:
16-3/4" W x 40-3/4" H x 19-3/4" D

(THE DOUBLE TIER 'S' STYLE DESIGNER
LOCKER INCREASES EACH COMPARTMENT
ON ONE SIDE TO ACCOMMODATE GARMENTS.)

(BASES ARE MADE OF INDUSTRIAL GRADE
WOOD AND ARE COVERED IN A DURABLE
BLACK LAMINATE. PLEASE SET BASE TO
ALLOW 5/8" BETWEEN THE BACK OF THE
LOCKER AND THE WALL FOR AIR VENTILATION.)

SIDE VIEW



MODEL #18-27361-E

18" WIDE DOUBLE TIER 'S' STYLE
DESIGNER WOOD LOCKER
WITH ELECTRONIC LOCKS
SIX FEET HIGH (ADD 4" FOR BASE)

AVAILABLE LOCKER FINISHES: GRAY, BLUE,
BLACK, MAPLE, CHERRY OR MAHOGANY

AVAILABLE LOCK FINISHES: BLACK OR SILVER

DRAWN: 03/2026

***Established in 1936, Salsbury Industries is the industry
leader in manufacturing and distributing quality lockers.***

18300 CENTRAL AVENUE
CARSON, CA 90746-4008
PHONE: (800) 562-5377
FAX: (800) 562-5399
email: engineering@lockers.com