

(NOTE: PREMIER LOCKER SHOWN WITHOUT SIDE PANEL OR SLOPING HOOD. PLEASE ORDER SEPERATELY.)

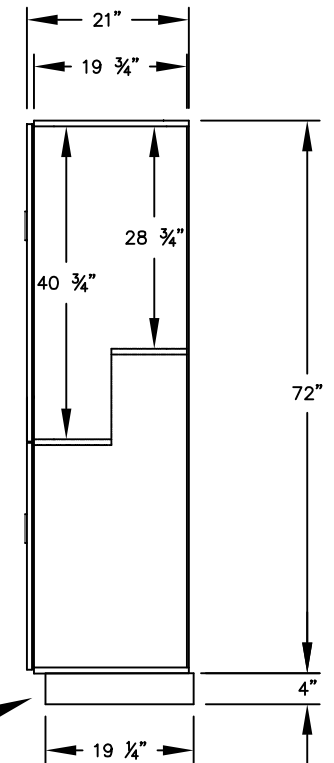
**MODEL #18-47161-R  
18" WIDE DOUBLE TIER 'S' STYLE  
PREMIER WOOD LOCKER – 1 WIDE  
WITH RESETTABLE COMBINATION LOCKS**

(2) LOCKER COMPARTMENTS  
EACH COMPARTMENT:  
16-3/4" W x 40-3/4" H x 19-3/4" D

(THE DOUBLE TIER 'S' STYLE PREMIER  
LOCKER INCREASES EACH COMPARTMENT  
ON ONE SIDE TO ACCOMMODATE GARMENTS.)

(BASES ARE MADE OF INDUSTRIAL GRADE  
WOOD AND ARE COVERED IN A DURABLE  
BLACK LAMINATE. PLEASE SET BASE  
TO ALLOW 5/8" BETWEEN THE BACK OF THE  
LOCKER AND THE WALL FOR AIR VENTILATION.)

SIDE VIEW



**MODEL #18-47161-R**

18" WIDE DOUBLE TIER 'S' STYLE  
PREMIER WOOD LOCKER  
WITH RESETTABLE COMBINATION LOCKS  
SIX FEET HIGH (ADD 4" FOR BASE)

AVAILABLE LOCKER FINISHES: ARCTIC WHITE, WINTER FOG,  
CARBON MESH, SILVER TEAK, RED OAK, SKYLINE WALNUT

AVAILABLE LOCK FINISHES: BLACK OR SILVER

DRAWN: 12/2025

***Established in 1936, Salsbury Industries is the industry  
leader in manufacturing and distributing quality lockers.***

18300 CENTRAL AVENUE  
CARSON, CA 90746-4008  
PHONE: (800) 562-5377  
FAX: (800) 562-5399  
email: [engineering@lockers.com](mailto:engineering@lockers.com)