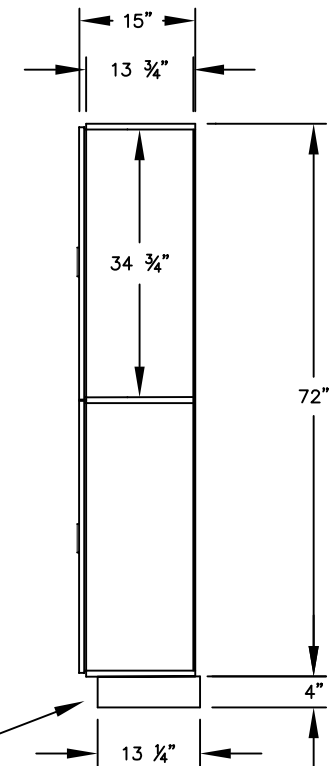


**MODEL #32165-E
12" WIDE DOUBLE TIER
DESIGNER WOOD LOCKER – 1 WIDE
WITH ELECTRONIC LOCKS**

(2) LOCKER COMPARTMENTS
EACH COMPARTMENT:
10-3/4" W x 34-3/4" H x 13-3/4" D

(NOTE: DESIGNER LOCKER
SHOWN WITHOUT SIDE PANEL
OR SLOPING HOOD. PLEASE
ORDER SEPARATELY.)

SIDE VIEW



(BASES ARE MADE OF INDUSTRIAL GRADE
PARTICLEBOARD AND ARE COVERED IN A
DURABLE BLACK LAMINATE. PLEASE SET
BASE TO ALLOW 5/8" BETWEEN THE BACK OF
THE LOCKER AND THE WALL FOR AIR
VENTILATION.)

MODEL #32165-E

12" WIDE DOUBLE TIER
DESIGNER WOOD LOCKER
WITH ELECTRONIC LOCKS
SIX FEET HIGH (ADD 4" FOR BASE)

AVAILABLE LOCKER FINISHES: GRAY, BLUE,
BLACK, MAPLE, CHERRY OR MAHOGANY

AVAILABLE LOCK FINISHES: BLACK OR SILVER

DRAWN: 1/2025

***Established in 1936, Salsbury Industries is the industry
leader in manufacturing and distributing quality lockers.***

18300 CENTRAL AVENUE
CARSON, CA 90746-4008
PHONE: (800) 562-5377
FAX: (800) 562-5399
email: engineering@lockers.com