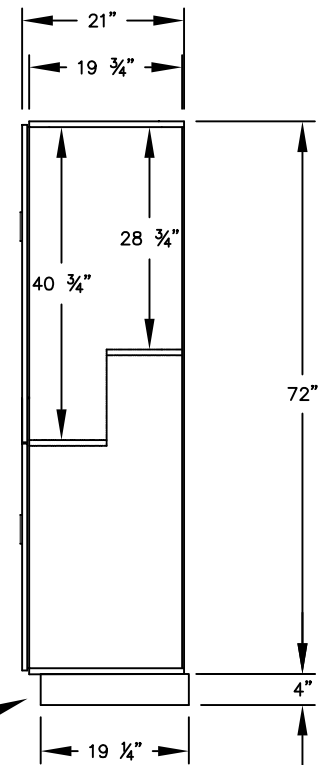


**MODEL #47161-R
12" WIDE DOUBLE TIER 'S' STYLE
PREMIER WOOD LOCKER – 1 WIDE
WITH RESETTABLE COMBINATION LOCKS**

(2) LOCKER COMPARTMENTS
EACH COMPARTMENT:
10-3/4" W x 40-3/4" H x 19-3/4" D

(THE DOUBLE TIER 'S' STYLE PREMIER
LOCKER INCREASES EACH COMPARTMENT
ON ONE SIDE TO ACCOMMODATE GARMENTS.)

SIDE VIEW



(NOTE: PREMIER LOCKER SHOWN
WITHOUT SIDE PANEL OR SLOPING
HOOD. PLEASE ORDER SEPERATELY.)

(BASES ARE MADE OF INDUSTRIAL GRADE
WOOD AND ARE COVERED IN A DURABLE
BLACK LAMINATE. PLEASE SET BASE
TO ALLOW 5/8" BETWEEN THE BACK OF THE
LOCKER AND THE WALL FOR AIR VENTILATION.)

MODEL #47161-R

**12" WIDE DOUBLE TIER 'S' STYLE
PREMIER WOOD LOCKER
WITH RESETTABLE COMBINATION LOCKS
SIX FEET HIGH (ADD 4" FOR BASE)**

AVAILABLE LOCKER FINISHES: ARCTIC WHITE, WINTER FOG,
CARBON MESH, SILVER TEAK, RED OAK, SKYLINE WALNUT

AVAILABLE LOCK FINISHES: BLACK OR SILVER

DRAWN: 12/2025

***Established in 1936, Salsbury Industries is the industry
leader in manufacturing and distributing quality lockers.***

18300 CENTRAL AVENUE
CARSON, CA 90746-4008
PHONE: (800) 562-5377
FAX: (800) 562-5399
email: engineering@lockers.com