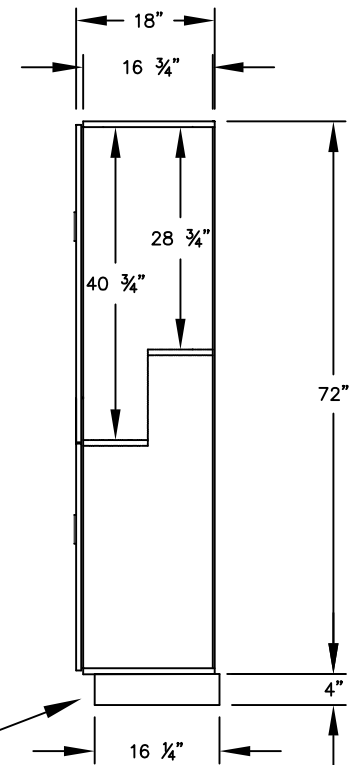


**MODEL #47168-R**  
**12" WIDE DOUBLE TIER 'S' STYLE**  
**PREMIER WOOD LOCKER – 1 WIDE**  
**WITH RESETTABLE COMBINATION LOCKS**

(2) LOCKER COMPARTMENTS  
 EACH COMPARTMENT:  
 10-3/4" W x 40-3/4" H x 16-3/4" D

(THE DOUBLE TIER 'S' STYLE PREMIER  
 LOCKER INCREASES EACH COMPARTMENT  
 ON ONE SIDE TO ACCOMMODATE GARMENTS.)

SIDE VIEW



(NOTE: PREMIER LOCKER SHOWN  
 WITHOUT SIDE PANEL OR SLOPING  
 HOOD. PLEASE ORDER SEPERATELY.)

(BASES ARE MADE OF INDUSTRIAL GRADE  
 WOOD AND ARE COVERED IN A DURABLE  
 BLACK LAMINATE. PLEASE SET BASE  
 TO ALLOW 5/8" BETWEEN THE BACK OF THE  
 LOCKER AND THE WALL FOR AIR VENTILATION.)

**MODEL #47168-R**

**12" WIDE DOUBLE TIER 'S' STYLE**  
**PREMIER WOOD LOCKER**  
**WITH RESETTABLE COMBINATION LOCKS**  
**SIX FEET HIGH (ADD 4" FOR BASE)**

AVAILABLE LOCKER FINISHES: ARCTIC WHITE, WINTER FOG,  
 CARBON MESH, SILVER TEAK, RED OAK, SKYLINE WALNUT

AVAILABLE LOCK FINISHES: BLACK OR SILVER

DRAWN: 12/2025

***Established in 1936, Salsbury Industries is the industry  
 leader in manufacturing and distributing quality lockers.***

18300 CENTRAL AVENUE  
 CARSON, CA 90746-4008  
 PHONE: (800) 562-5377  
 FAX: (800) 562-5399  
 email: [engineering@lockers.com](mailto:engineering@lockers.com)