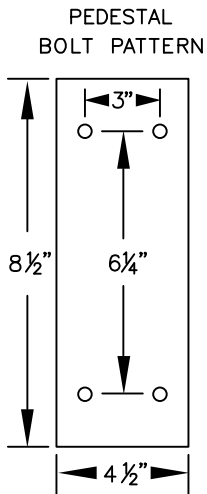


MODEL #77775  
 60" WIDE ALUMINUM LOCKER BENCH  
 60" W x 18" H x 10" D



MODEL #77775

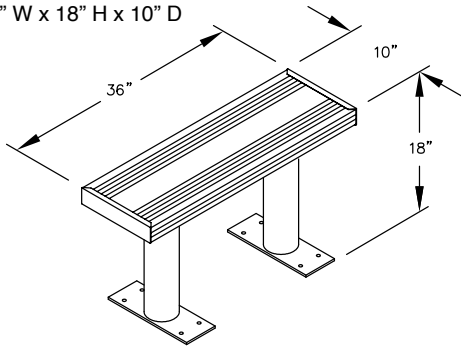
60" WIDE ALUMINUM LOCKER BENCH

DRAWN: 3/2020

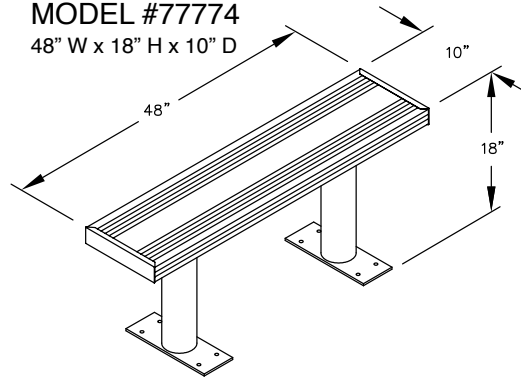
***Established in 1936, Salsbury Industries is the industry leader in manufacturing and distributing quality lockers.***

18300 CENTRAL AVENUE  
 CARSON, CA 90746-4008  
 PHONE: (800) 562-5377  
 FAX: (800) 562-5399  
 email: [engineering@lockers.com](mailto:engineering@lockers.com)

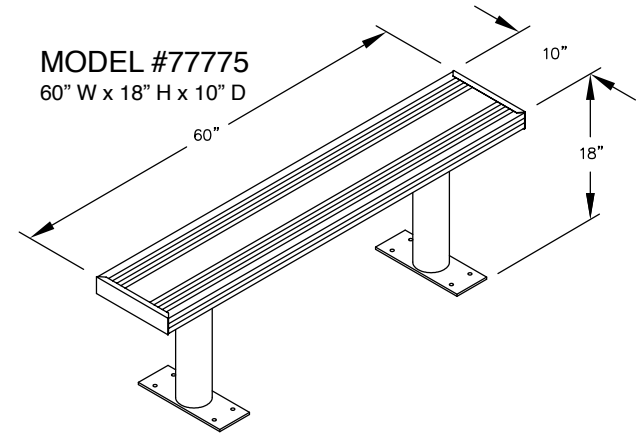
MODEL #77773  
36" W x 18" H x 10" D



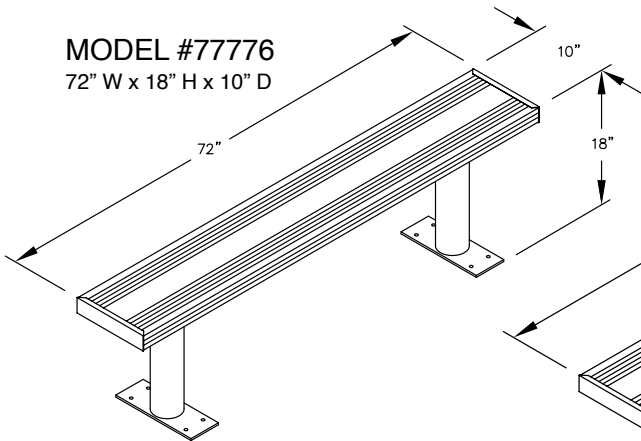
MODEL #77774  
48" W x 18" H x 10" D



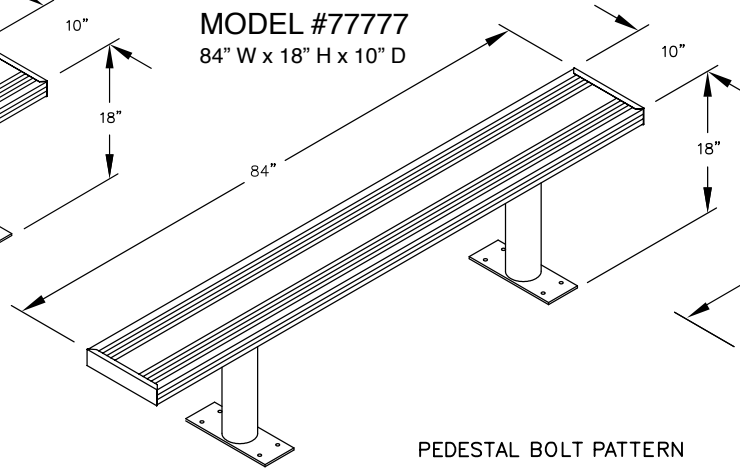
MODEL #77775  
60" W x 18" H x 10" D



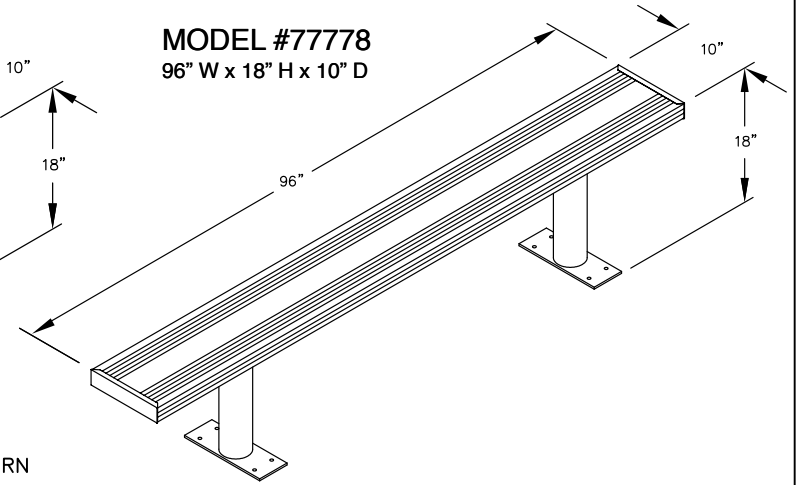
MODEL #77776  
72" W x 18" H x 10" D



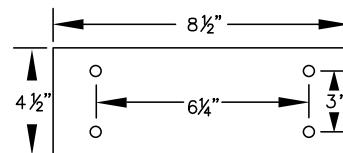
MODEL #77777  
84" W x 18" H x 10" D



MODEL #77778  
96" W x 18" H x 10" D



PEDESTAL BOLT PATTERN



**ALUMINUM LOCKER BENCHES**

- MODEL #77773 (36" Wide)
- MODEL #77774 (48" Wide)
- MODEL #77775 (60" Wide)
- MODEL #77776 (72" Wide)
- MODEL #77777 (84" Wide)
- MODEL #77778 (96" Wide)

DRAWN: 7/2020

***Established in 1936, Salsbury Industries is the industry leader in manufacturing and distributing quality lockers.***

18300 CENTRAL AVENUE  
CARSON, CA 90746-4008  
PHONE: (800) 562-5377  
FAX: (800) 562-5399  
email: [engineering@lockers.com](mailto:engineering@lockers.com)