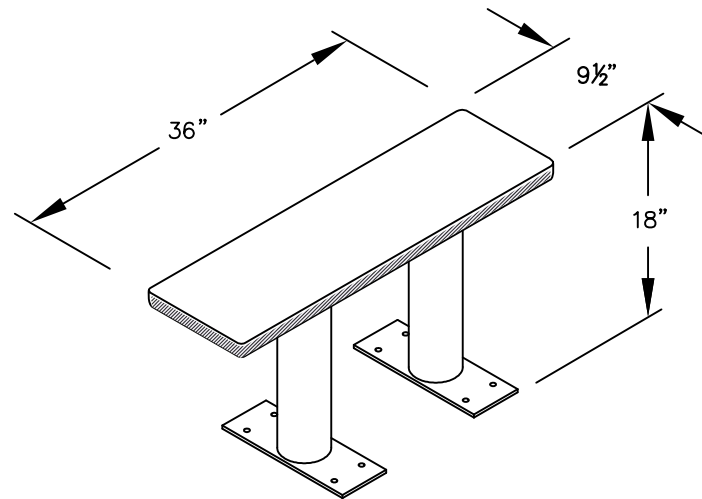
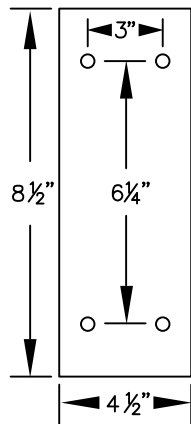


PEDESTAL  
BOLT PATTERN



MODEL #77783D  
36" WIDE WOOD LOCKER BENCH

36" W x 18" H x 9-1/2" D

MODEL #77783D

36" WIDE DESIGNER WOOD  
LOCKER BENCH

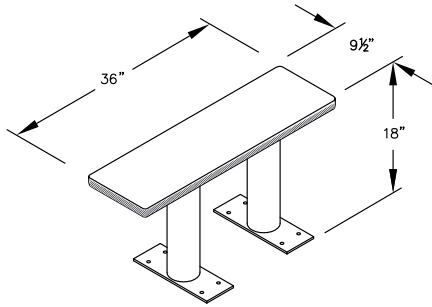
AVAILABLE FINISHES:  
GRAY, BLUE, BLACK,  
MAPLE, CHERRY OR MAHOGANY

DRAWN: 7/2020

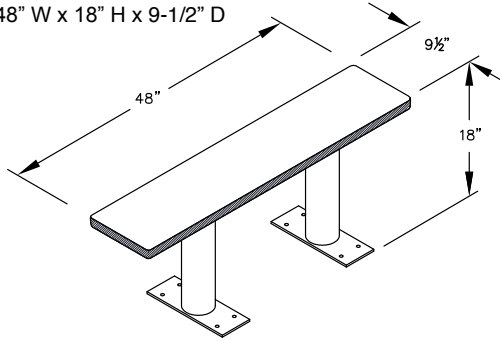
***Established in 1936, Salsbury Industries is the industry  
leader in manufacturing and distributing quality lockers.***

18300 CENTRAL AVENUE  
CARSON, CA 90746-4008  
PHONE: (800) 562-5377  
FAX: (800) 562-5399  
email: [engineering@lockers.com](mailto:engineering@lockers.com)

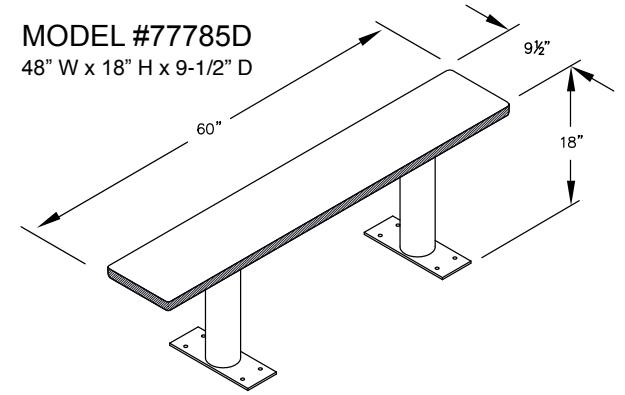
MODEL #77783D  
36" W x 18" H x 9-1/2" D



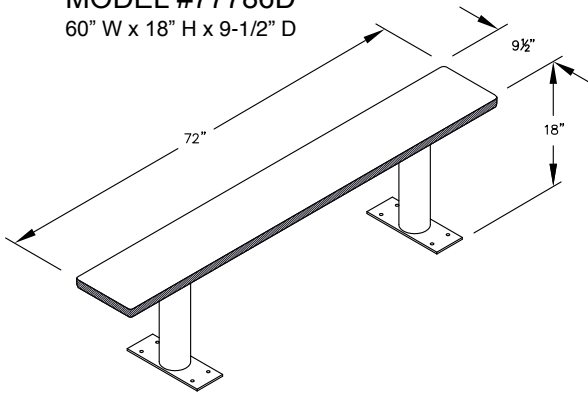
MODEL #77784D  
48" W x 18" H x 9-1/2" D



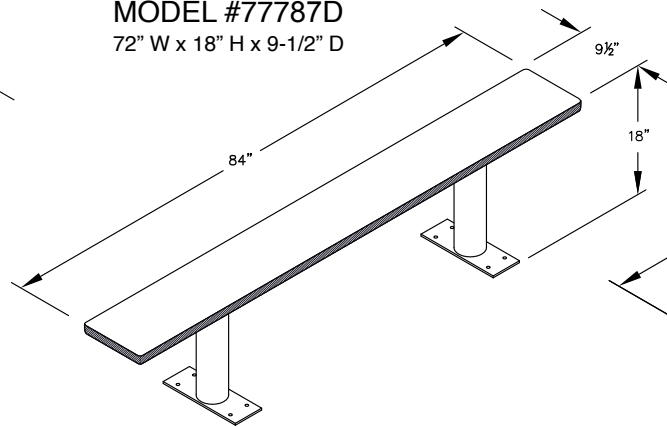
MODEL #77785D  
48" W x 18" H x 9-1/2" D



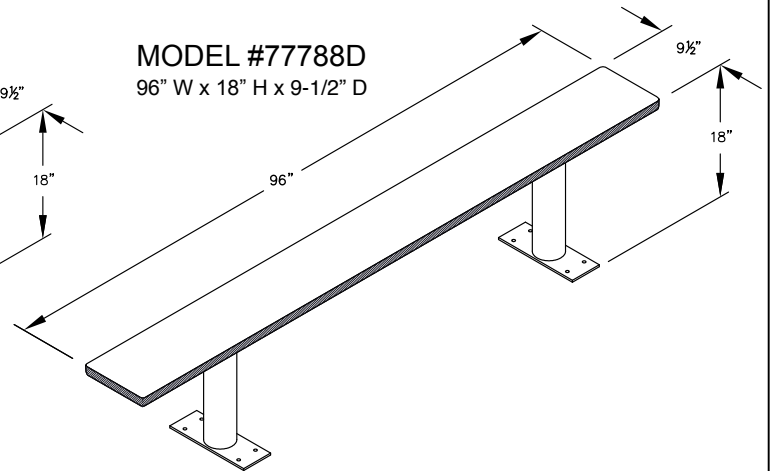
MODEL #77786D  
60" W x 18" H x 9-1/2" D



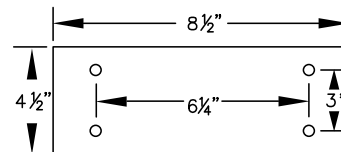
MODEL #77787D  
72" W x 18" H x 9-1/2" D



MODEL #77788D  
96" W x 18" H x 9-1/2" D



PEDESTAL BOLT PATTERN



**DESIGNER WOOD LOCKER BENCHES**

- MODEL #77783D (36" Wide)
- MODEL #77784D (48" Wide)
- MODEL #77785D (60" Wide)
- MODEL #77786D (72" Wide)
- MODEL #77787D (84" Wide)
- MODEL #77788D (96" Wide)

DRAWN: 7/2020

***Established in 1936, Salsbury Industries is the industry leader in manufacturing and distributing quality lockers.***

18300 CENTRAL AVENUE  
CARSON, CA 90746-4008  
PHONE: (800) 562-5377  
FAX: (800) 562-5399  
email: [engineering@lockers.com](mailto:engineering@lockers.com)