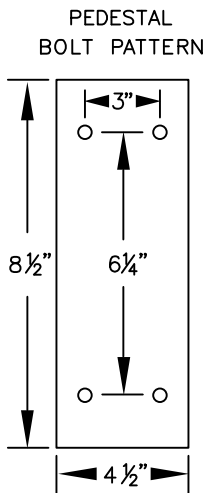


MODEL #77785
 60" WIDE WOOD LOCKER BENCH
 60" W x 18" H x 9-1/2" D



MODEL #77785

60" WIDE WOOD LOCKER BENCH

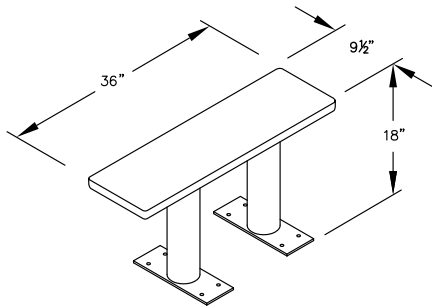
AVAILABLE FINISHES:
 LIGHT OR DARK

DRAWN: 7/2020

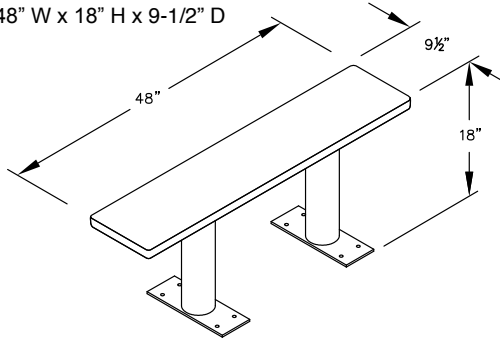
Established in 1936, Salsbury Industries is the industry leader in manufacturing and distributing quality lockers.

18300 CENTRAL AVENUE
 CARSON, CA 90746-4008
 PHONE: (800) 562-5377
 FAX: (800) 562-5399
 email: engineering@lockers.com

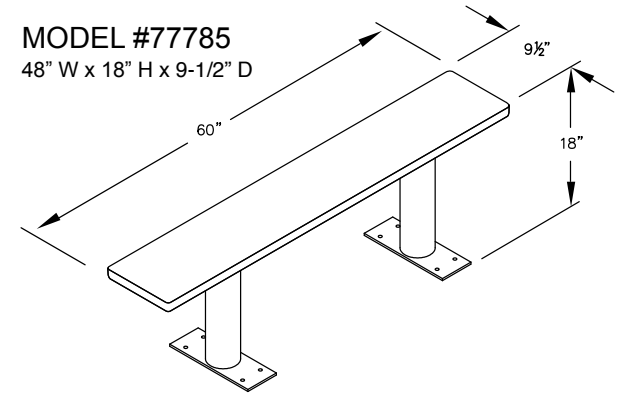
MODEL #77783
36" W x 18" H x 9-1/2" D



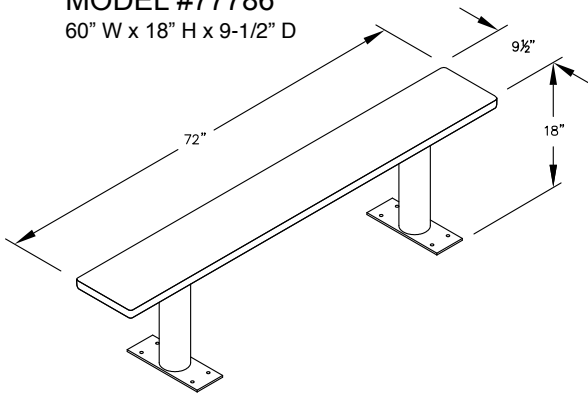
MODEL #77784
48" W x 18" H x 9-1/2" D



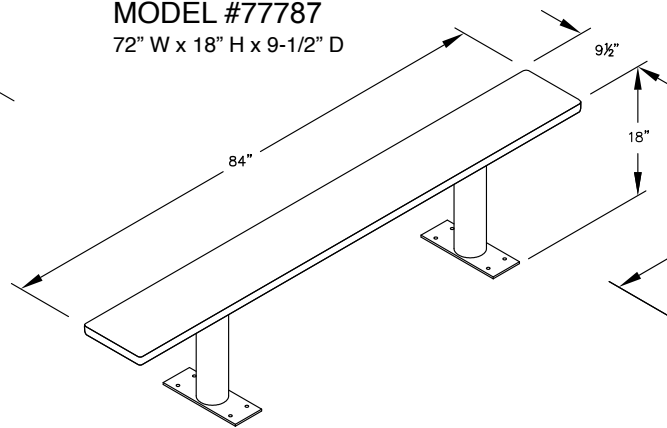
MODEL #77785
48" W x 18" H x 9-1/2" D



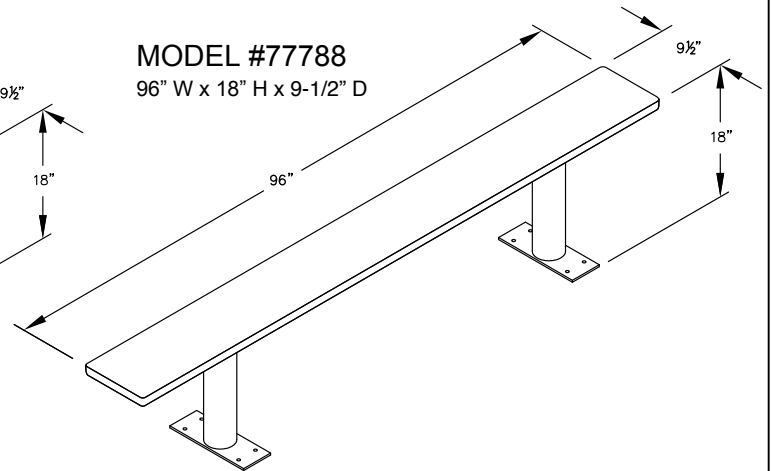
MODEL #77786
60" W x 18" H x 9-1/2" D



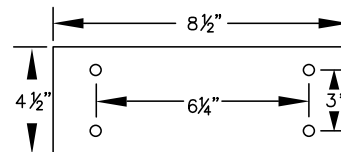
MODEL #77787
72" W x 18" H x 9-1/2" D



MODEL #77788
96" W x 18" H x 9-1/2" D



PEDESTAL BOLT PATTERN



WOOD LOCKER BENCHES

- MODEL #77783 (36" Wide)
- MODEL #77784 (48" Wide)
- MODEL #77785 (60" Wide)
- MODEL #77786 (72" Wide)
- MODEL #77787 (84" Wide)
- MODEL #77788 (96" Wide)

DRAWN: 7/2020

Established in 1936, Salsbury Industries is the industry leader in manufacturing and distributing quality lockers.

18300 CENTRAL AVENUE
CARSON, CA 90746-4008
PHONE: (800) 562-5377
FAX: (800) 562-5399
email: engineering@lockers.com