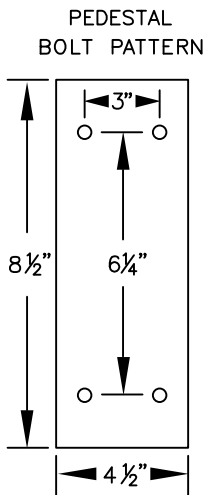


MODEL #77786  
 72" WIDE WOOD LOCKER BENCH  
 72" W x 18" H x 9-1/2" D



MODEL #77786

72" WIDE WOOD LOCKER BENCH

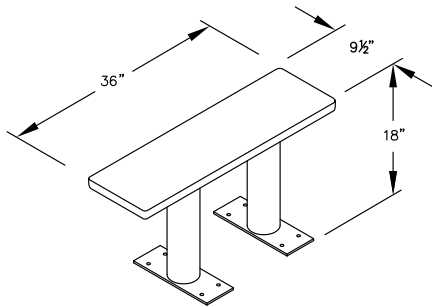
AVAILABLE FINISHES:  
 LIGHT OR DARK

DRAWN: 7/2020

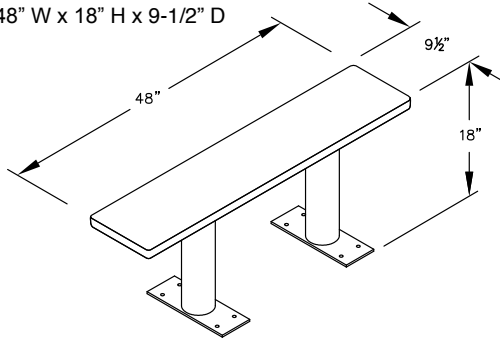
***Established in 1936, Salsbury Industries is the industry leader in manufacturing and distributing quality lockers.***

18300 CENTRAL AVENUE  
 CARSON, CA 90746-4008  
 PHONE: (800) 562-5377  
 FAX: (800) 562-5399  
 email: [engineering@lockers.com](mailto:engineering@lockers.com)

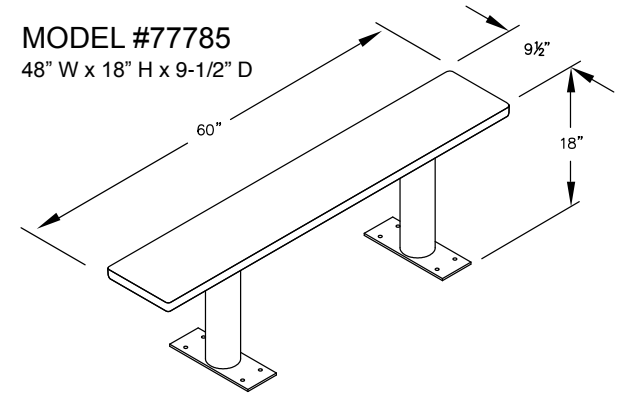
MODEL #77783  
36" W x 18" H x 9-1/2" D



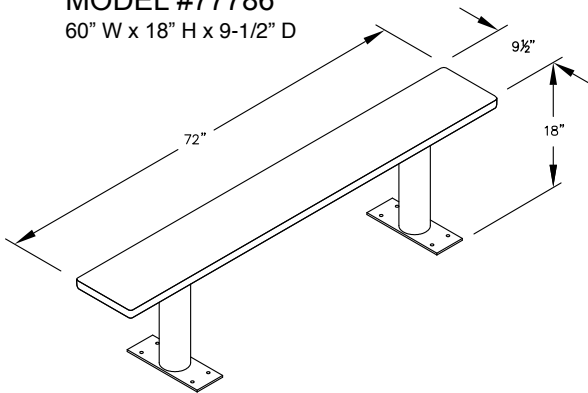
MODEL #77784  
48" W x 18" H x 9-1/2" D



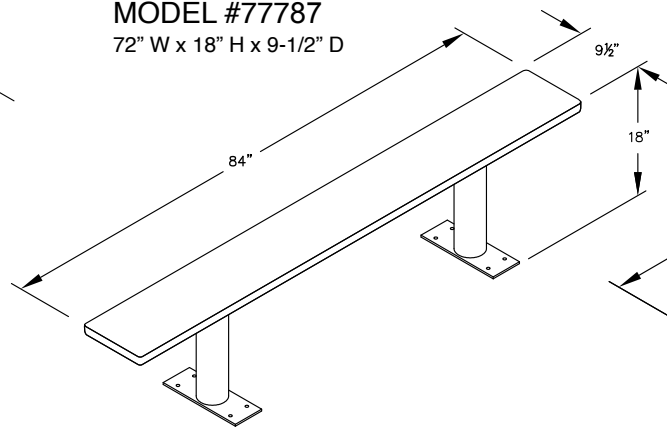
MODEL #77785  
48" W x 18" H x 9-1/2" D



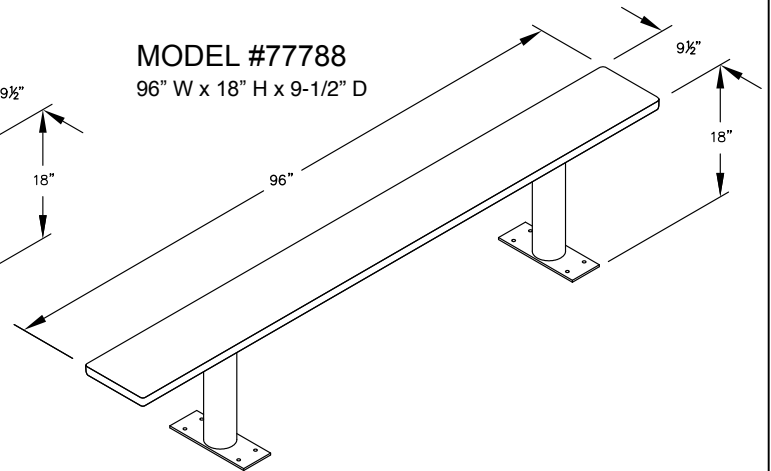
MODEL #77786  
60" W x 18" H x 9-1/2" D



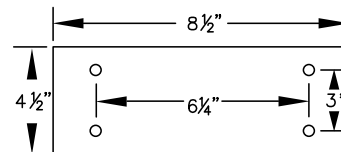
MODEL #77787  
72" W x 18" H x 9-1/2" D



MODEL #77788  
96" W x 18" H x 9-1/2" D



PEDESTAL BOLT PATTERN



**WOOD LOCKER BENCHES**

- MODEL #77783 (36" Wide)
- MODEL #77784 (48" Wide)
- MODEL #77785 (60" Wide)
- MODEL #77786 (72" Wide)
- MODEL #77787 (84" Wide)
- MODEL #77788 (96" Wide)

DRAWN: 7/2020

***Established in 1936, Salsbury Industries is the industry leader in manufacturing and distributing quality lockers.***

18300 CENTRAL AVENUE  
CARSON, CA 90746-4008  
PHONE: (800) 562-5377  
FAX: (800) 562-5399  
email: [engineering@lockers.com](mailto:engineering@lockers.com)