

(NOTE: SEE-THROUGH DESIGNER LOCKER SHOWN WITHOUT SIDE PANEL OR SLOPING HOOD. PLEASE ORDER SEPARATELY.)

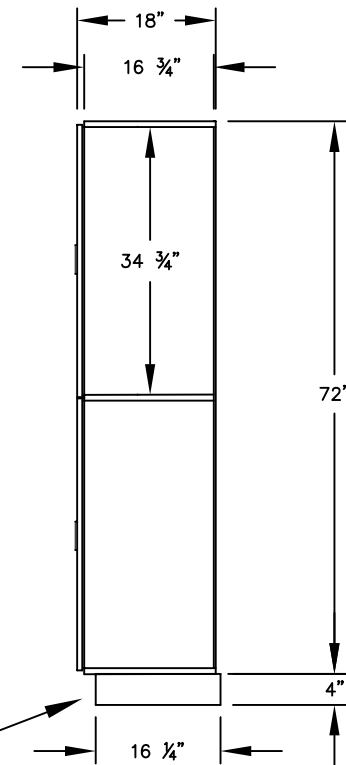
MODEL #S-32168  
DOUBLE TIER - 1 WIDE  
SEE-THROUGH DESIGNER LOCKER

(2) LOCKER COMPARTMENTS

EACH COMPARTMENT:  
10  $\frac{3}{4}$ " W x 34  $\frac{3}{4}$ " H x 16  $\frac{3}{4}$ " D

EACH POLYCARBONATE WINDOW:  
8" W x 5  $\frac{1}{2}$ " H

SIDE VIEW



(BASES ARE MADE OF INDUSTRIAL GRADE PARTICLEBOARD AND ARE COVERED IN A DURABLE BLACK LAMINATE. PLEASE SET BASE TO ALLOW  $\frac{5}{8}$ " BETWEEN THE BACK OF THE LOCKER AND THE WALL FOR AIR VENTILATION.)

MODEL #S-32168

12" WIDE DOUBLE TIER  
SEE-THROUGH DESIGNER WOOD LOCKER  
SIX FEET HIGH (ADD 4" FOR BASE)

AVAILABLE FINISHES: GRAY, BLUE, BLACK,  
MAPLE, CHERRY OR MAHOGANY

DRAWN: 07/18

**Established in 1936, Salsbury Industries is the industry leader in manufacturing and distributing quality lockers.**

1010 E. 62ND STREET  
LOS ANGELES, CA 90001  
PHONE: (800) 562-5377  
FAX: (800) 562-5399  
email: [engineering@lockers.com](mailto:engineering@lockers.com)