

(NOTE: SEE-THROUGH DESIGNER LOCKER SHOWN WITHOUT SIDE PANEL OR SLOPING HOOD. PLEASE ORDER SEPARATELY.)

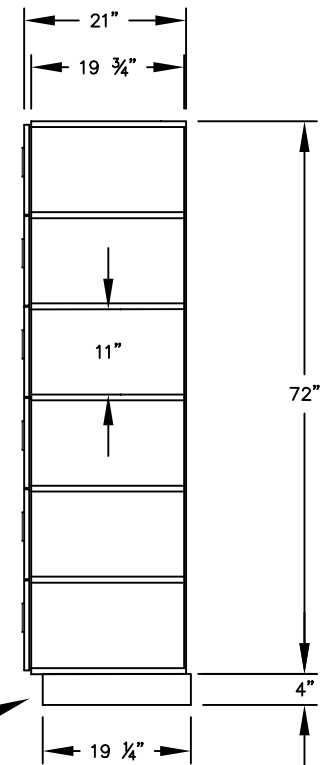
MODEL #S-36161  
SIX TIER BOX STYLE - 1 WIDE  
SEE-THROUGH DESIGNER LOCKER

(6) LOCKER COMPARTMENTS

EACH COMPARTMENT:  
10 <sup>3</sup>/<sub>4</sub>" W x 11" H x 19 <sup>3</sup>/<sub>4</sub>" D

EACH POLYCARBONATE WINDOW:  
3 <sup>1</sup>/<sub>2</sub>" W x 9" H

SIDE VIEW



(BASES ARE MADE OF INDUSTRIAL GRADE PARTICLEBOARD AND ARE COVERED IN A DURABLE BLACK LAMINATE. PLEASE SET BASE TO ALLOW <sup>5</sup>/<sub>8</sub>" BETWEEN THE BACK OF THE LOCKER AND THE WALL FOR AIR VENTILATION.)

MODEL #S-36161

12" WIDE SIX TIER BOX STYLE  
SEE-THROUGH DESIGNER WOOD LOCKER  
SIX FEET HIGH (ADD 4" FOR BASE)

AVAILABLE FINISHES: GRAY, BLUE, BLACK,  
MAPLE, CHERRY OR MAHOGANY

DRAWN: 07/18

**Established in 1936, Salsbury Industries is the industry leader in manufacturing and distributing quality lockers.**

1010 E. 62ND STREET  
LOS ANGELES, CA 90001  
PHONE: (800) 562-5377  
FAX: (800) 562-5399  
email: engineering@lockers.com